

SEALINE 23,1" MK3 MONITOR

The SeaLine Monitors are a series of rugged TFT LCD Displays. The traditional design and modular approach makes them highly suitable for retrofit into existing systems.

Our displays can be flush mounted or equipped with stand, turntable and/or sunshade, and please note that the SeaLine series have been approved with all accessories mounted. They are all provided with AD/DC inputs and can even be used as a part of an UPS system. For improved performance and reliability backlight technology is based on LEDs.



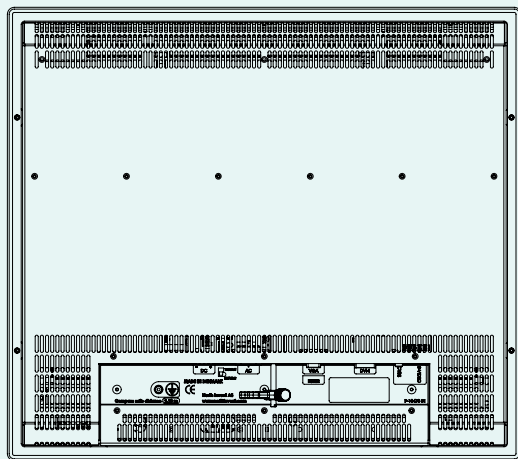
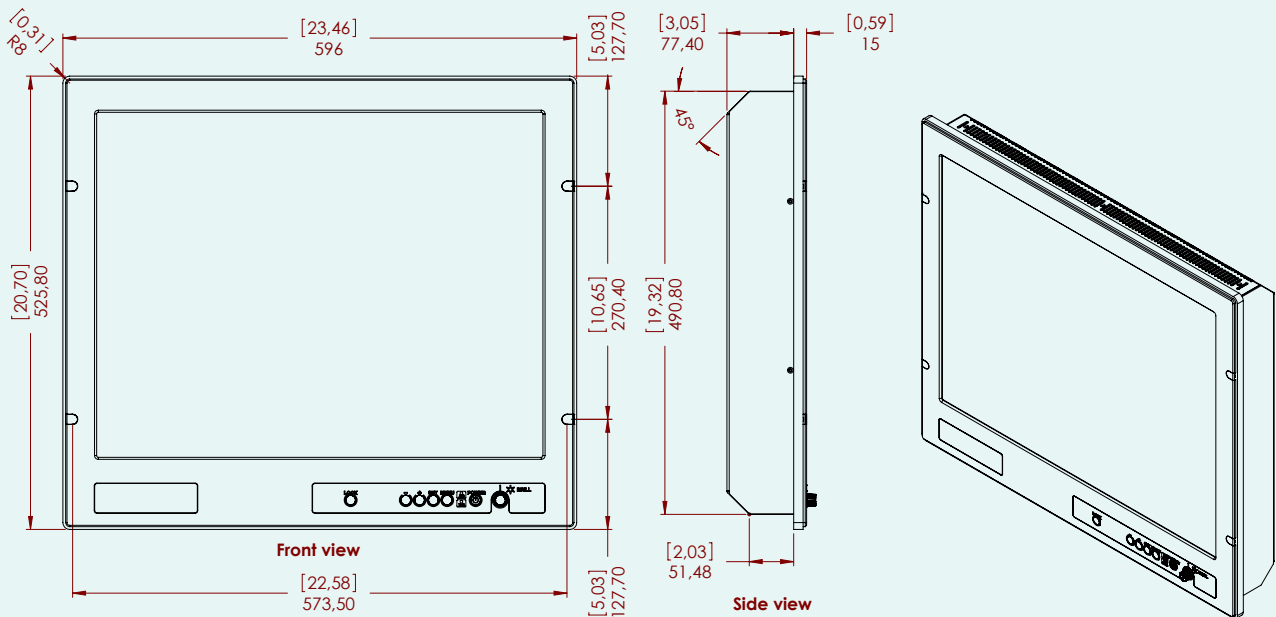
TECHNICAL SPECIFICATIONS 23,1" SEALINE MK3 MONITOR: SL231-02.MON.03-0001

MATCHING STANDARDS	IEC 60945, IEC 61174 (ECDIS), IEC 60936 (RADAR), IEC 62.288, IEC 62.388, IEC 60529 (IP), IACS E10. Designed to comply with MIL-STD-810F and MIL-STD-901D. Reports available on request.
DISPLAY SIZE	23.1" - 58.6cm. 470.4 (W) x 352.8 (H) mm
OVERALL DIMENSIONS	596 (W) x 525.8 (H) x 77 (D) mm - flush mounting 615 (W) x 569 (H) x 548 (D) mm - with stand and turntable
NET/GROSS WEIGHT	17.2 Kg (monitor only) / 22.8 Kg (monitor with stand and turntable)
RESOLUTION	Max 1.600 x 1.200 pixels (UXGA)
SYNCHRONISATION	Separate/Composite, 15-100 kHz (H), 30-65 Hz (V)
RESPONSE TIME	12 ms
CONTRAST RATIO	Typ. 600:1
DOT PITCH	0.294 (H) x 0.294 (V) mm
LIGHT INTENSITY	350 cd/m ²
NUMBERS OF COLOURS	16.7 Millions depending on graphics card
VIEWING ANGLE	170°
CONTROLS KNOBS	Power, Menu, Set, +, -, Lock. All with dimmable light.
POTENTIOMETER	Brightness (TFT Backlight intensity)
INDICATORS	Power indicator, AC or DC, dimmable LEDs
SUPPLY VOLTAGE	115 VAC ±10%, 230 VAC ±10% (switch), 24 VDC+30/-20%
POWER CONSUMPTION	App.105 W (AC) / 90 W (DC)
COLOURS	Front and back: RAL 7015. Stand and turntable: RAL 9007. Other colours available on request.
ENCLOSURE PROTECTION	IP 66 & IP 67 mounted in console, with optional sealing kit (gasket & grease)
GLASS TYPE	Conturan® hardened, antiglare coated
CONTROL INPUT	RS 232 D-SUB 9 pin female
OPERATING/STORAGE TEMP.	-15/+55° C. +5/131° F (IEC 60945) / -25/+70° C. -13/158° F
INPUT	DVI-I (Analogue and Digital), VGA, Composite video, S-Video, AC power IEC Inlet and DC screw terminal
BACKLIGHT LIFE	Typ. 50.000 hours
DIMMING RANGE	0-100% (Dimming ratio 1.000:1)
ACCESSORIES	Sunshade SL231-01.SUN.01-0001, Classic Stand SL231-01.STA.01-0001, Classic Stand + Turntable SL231-01.STU.01-0001

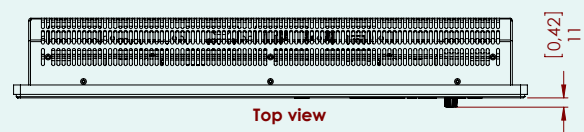
SEALINE 23,1" MK3 MONITOR

SEALINE 23,1" MK3 PANEL MOUNTED

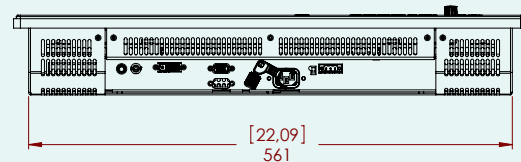
Note: All dimensions are in mm.



Back view



Top view



Bottom view

SL231-DS-REV3.0-01.2015

Specifications subject to changes without prior notice. The contents of this page are property of North Invent Norway AS. All rights herein are reserved to North Invent Norway AS. This document cannot be reproduced without the written permission of the company.

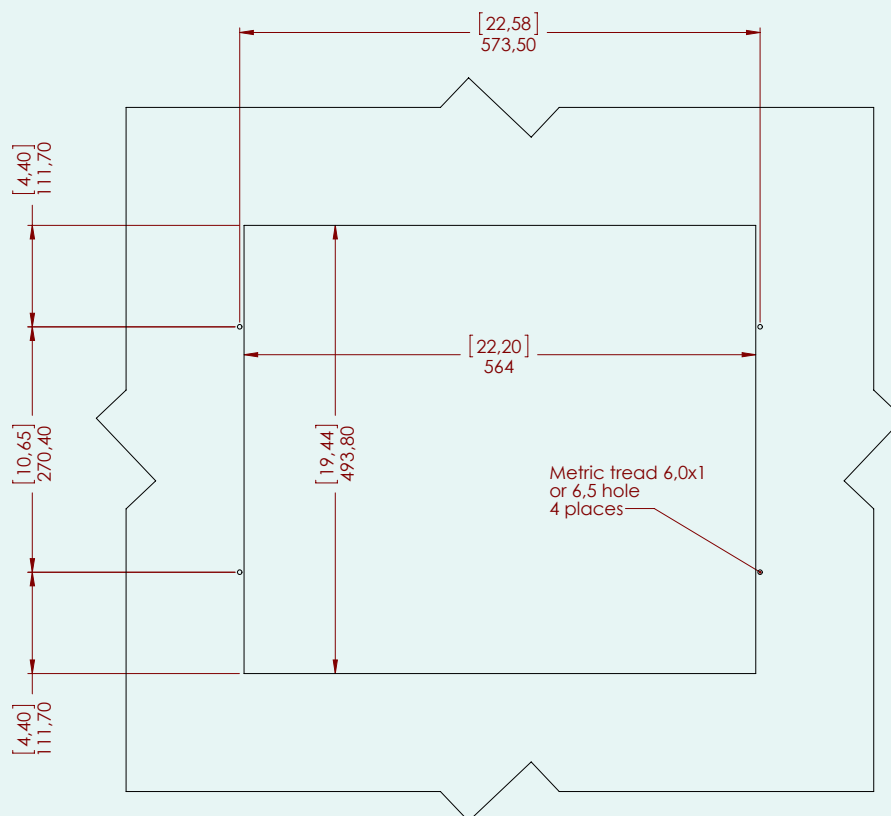
NORTH INVENT
 Sørhauggata 128,
 NO-5527 Haugesund, Norway
 Phone: + 47 48 84 02 00



SEALINE 23,1" MK3 MONITOR

SEALINE 23,1" MK3 PANEL CUT OUT

Note: All dimensions are in mm.



Please note the following:

- All the mentioned marine and military standards can also be applied to the standard monitor.
- The approved vibration test has been conducted with monitors fully equipped with stand, turntable and sunshade, without significant amplifications.
- Monitors can match IP66 (dust proof and powerful jetting) and IP67 (dust proof and temporary immersion) requirements, with use of the optional Sealing kit. It makes our monitors suitable for mounting on e.g. open bridge wings.
- The internal gasket of our front glass while being dust proof may still be permeable by vapour. In order to avoid both dust and dew building up inside the glass, please take a further contact with us.

The following is enclosed in a standard delivery:

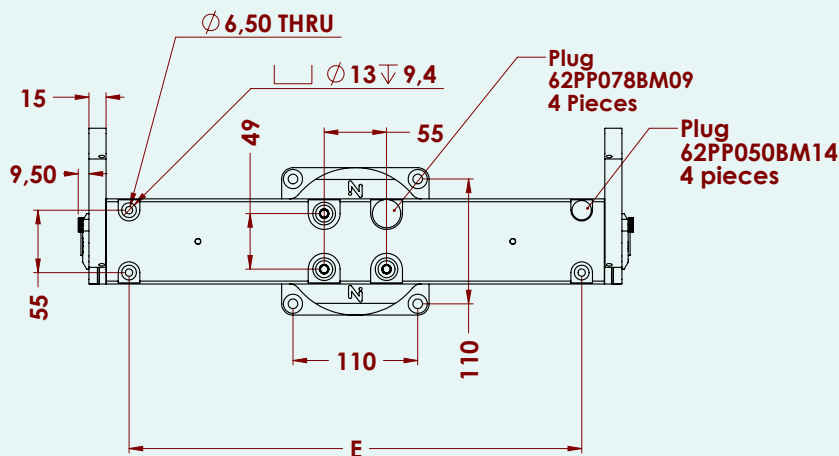
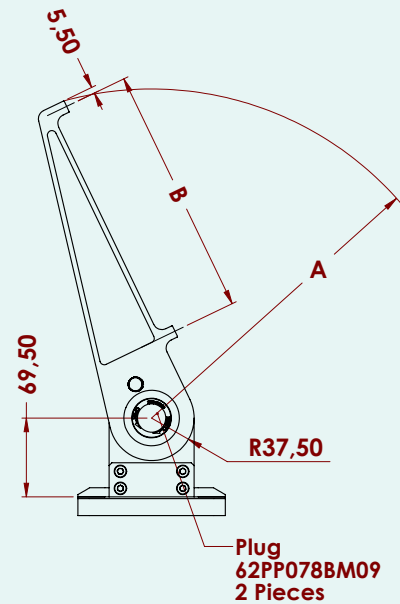
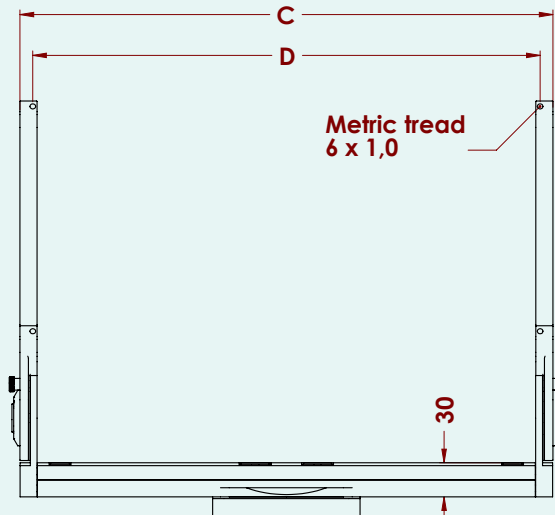
- 1 x SL 231-01.MON.03-0001, 23.1" Monitor
- 1 x User Manual for Sea Line Monitors (identical for 15", 19", 21.3" & 23.1" monitors) / 1 x Power AC Cable / 1 x DC plug / 1 x VGA Cable
- 4 x M6 x 25, Stainless Steel screws for front mounting / 4 x Cover for M6 screws

SL231-DS-REV3.0-01.2015

SEALINE 23,1" MK3 MONITOR

SEALINE 23,1" MK3 MOUNTING STAND

Note: All dimensions are in mm.



- A. 361 mm
- B. 270.4 mm
- C. 596 mm
- D. 573.5 mm
- E. 526 mm

SL231-DS-REV3.0-01.2015

Specifications subject to changes without prior notice. The contents of this page are property of North Invent Norway AS. All rights herein are reserved to North Invent Norway AS. This document cannot be reproduced without the written permission of the company.

NORTH INVENT
 Sørhauggata 128,
 NO-5527 Haugesund, Norway
 Phone: + 47 48 84 02 00

