

WAVE 19" MONITOR

The Wave Monitors are a series of well-designed, rugged LED displays. Our monitors are built following a modular approach, making them suitable for OEM as well as Private Label versions.

Our displays can be flush mounted with a panel mounting kit or standing with hinge mounted to table. It can even be mounted with hinge hanging from the roof (no HMI). Sunshade and Vesa adaptor are also available.

All our monitors are provided with AC/DC inputs and can even be used as a part of a UPS system. For improved performance and reliability backlight is based on LED technology.



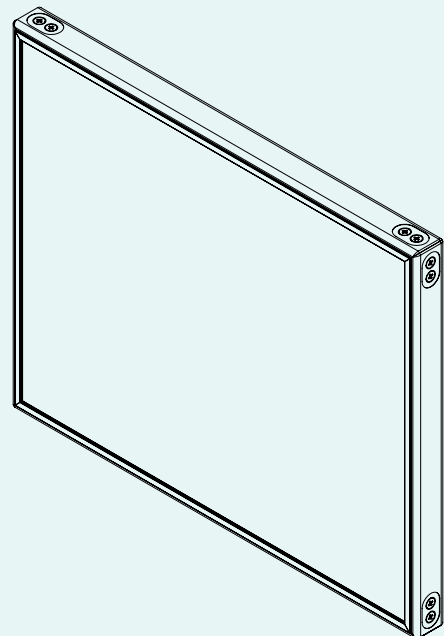
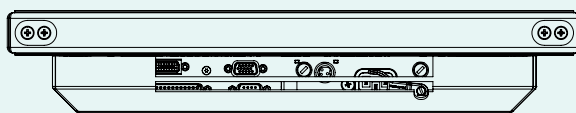
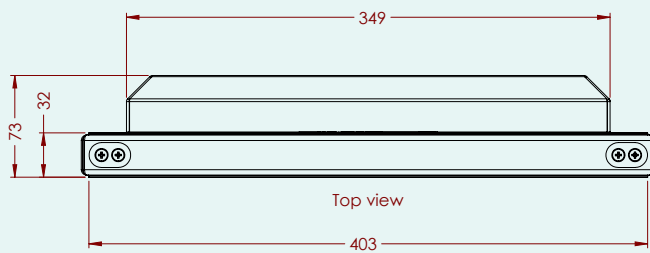
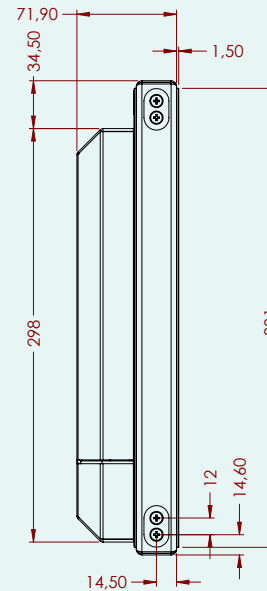
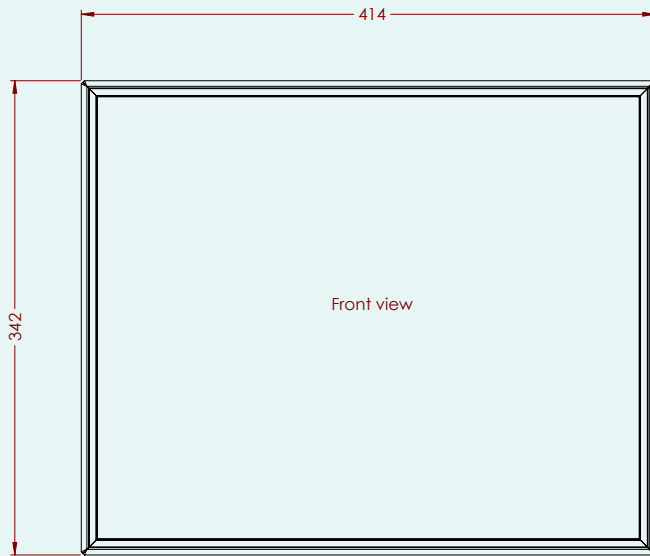
TECHNICAL SPECIFICATIONS 19" WAVE MONITOR

MATCHING STANDARDS	IEC 60945, IEC 61174 (ECDIS), IEC 60936 (RADAR), IEC 62.288, IEC 62.388, IEC 60529 (IP), IACS E10. Designed to comply with MIL-STD-810F & MIL-STD-901D. Reports available on request.
DISPLAY SIZE	19.0" - 482.6 mm, active area 376.32 (Hor) x 301.06 (V) mm
OVERALL DIMENSIONS	414 (W) x 342 (H) x 73.4 (D) mm - console mounting (ex mounting kit) 414 (W) x 377 (H) x 73.4 (D) mm - with Hinge (ex HMI)
NET/GROSS WEIGHT	7,9 Kg (monitor with hinge and HMI)
RESOLUTION	Max 1280 x 1024 pixels (SXGA)
SYNCHRONISATION	Separate/Composite, 15-100 kHz (H), 30-65 Hz (V)
RESPONSE TIME	20 ms
CONTRAST RATIO	2000:1 (typ)
DOT PITCH	0.294 (H) x 0.294 (V) mm
LIGHT INTENSITY	300 cd/m2 (typ)
NUMBERS OF COLOURS	16.7 Millions depending on graphics card
VIEWING ANGLE	±89°
CONTROLS KNOBS	Lock, +, -, (Brilliance), Set, Menu and Power
INDICATORS	Power indicator, AC or DC
DC VOLTAGE OUT	12 VDC, 30W, connector KPXJ-3S, matching male connector KPPX-3P
SUPPLY VOLTAGE	90-264 VAC, 24 VDC -20/+30%
POWER CONSUMPTION	App.45 W (AC) / 45 W (DC)
COLOURS	Front & back: RAL 9005 structure. Stand RAL 9005 structure.
ENCLOSURE PROTECTION	IP 42
GLASS TYPE	Conturan® or Glacier AR antiglare coated
CONTROL INPUT	RS 232 D-SUB 9 pin female
OPERATING/STORAGE TEMP.	-15/+55° C. +5/131° F (IEC 60945) / -20/+60° C. -4/140° F
INPUT	DVI-I (Analogue and Digital), VGA, Composite video, S-Video, AC power IEC Inlet & DC screw terminal
BACKLIGHT LIFE	Typ. 50.000 hours
DIMMING RANGE	0-100%
ACCESSORIES	Sunshade WA190-01.SUN.01, Panel Mounting Kit WA190-01.PAN.01, Panel Mounting Kit incl HMI WA190-02.PAN.01, Vesa adaptor WA190-01.VES.01
CONFIGURATION-0001 FLUSH MOUNTED	
CONFIGURATION-1001 MOUNTED ON HINGE (NO HMI)	
CONFIGURATION-2001 MOUNTED ON HINGE (WITH HMI)	
CONFIGURATION-3001 TOP MOUNTED HINGE (NO HMI)	
CONFIGURATION-4001 PANEL MOUNTED WITH INTEGRATED HMI	
CONFIGURATION-5001 PANEL MOUNTED WITHOUT INTEGRATED HMI	

WAVE 19" MONITOR

WAVE 19" FLUSH MOUNTED: WA190-01.MON.01-0001

Note: All dimensions are in mm.



The following is enclosed in a standard delivery:
 1 x WA190-01.MON.01-5001, 19,0" Monitor
 1 x User Manual for Wave Monitors (identical for 19", 21.5", 24 & 27" monitors) 1 x Power AC Cable / 1 x DC plug / 1 x VGA Cable

WA190-DS-REV3.0-01.2015

Specifications subject to changes without prior notice. The contents of this page are property of North Invent Norway AS. All rights herein are reserved to North Invent Norway AS. This document cannot be reproduced without the written permission of the company.

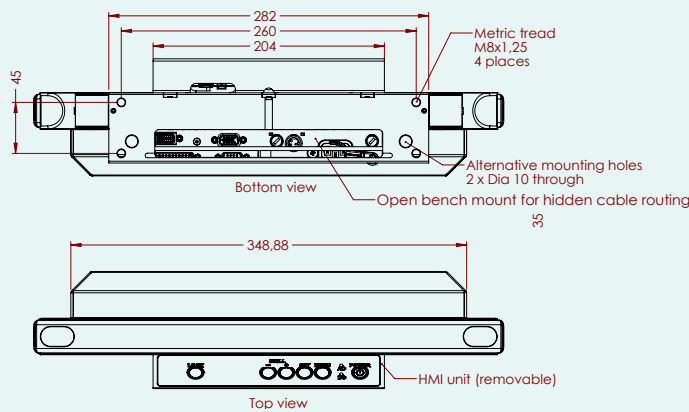
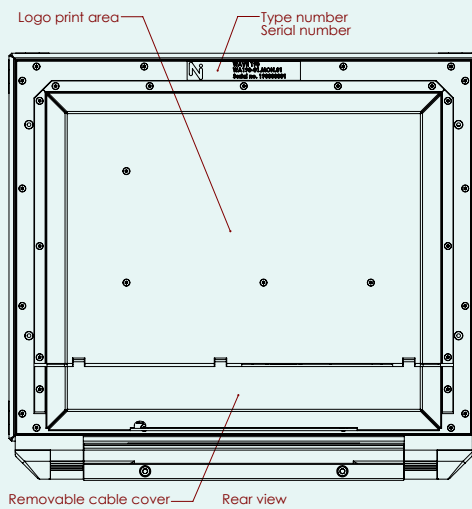
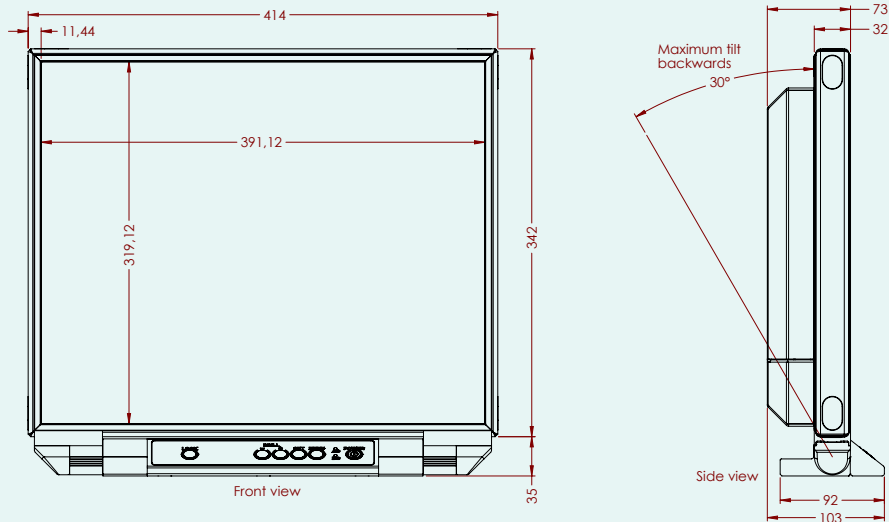
NORTH INVENT
 Sørhauggata 128,
 NO-5527 Haugesund, Norway
 Phone: + 47 48 84 02 00



WAVE 19" MONITOR

WAVE 19" WITH HINGE: WA190-01.MON.01-1001 (NO HMI) OR WA190-01.MON.01-2001 (WITH HMI)

Note: All dimensions are in mm.



WA190-DS-REV3.0-01.2015

Specifications subject to changes without prior notice. The contents of this page are property of North Invent Norway AS. All rights herein are reserved to North Invent Norway AS. This document cannot be reproduced without the written permission of the company.

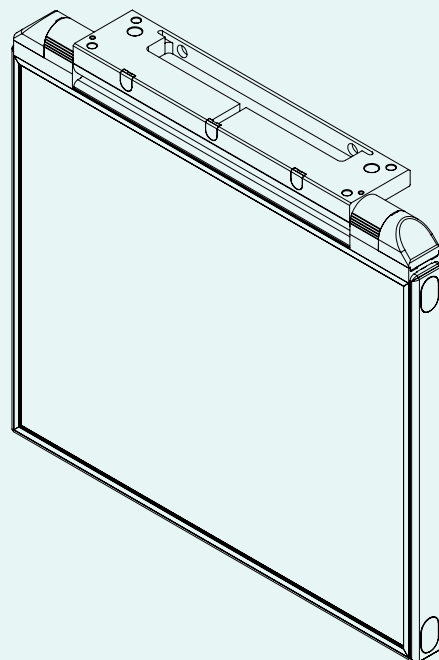
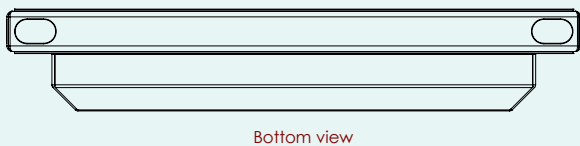
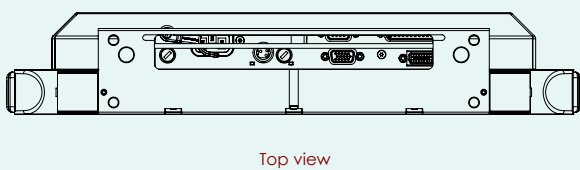
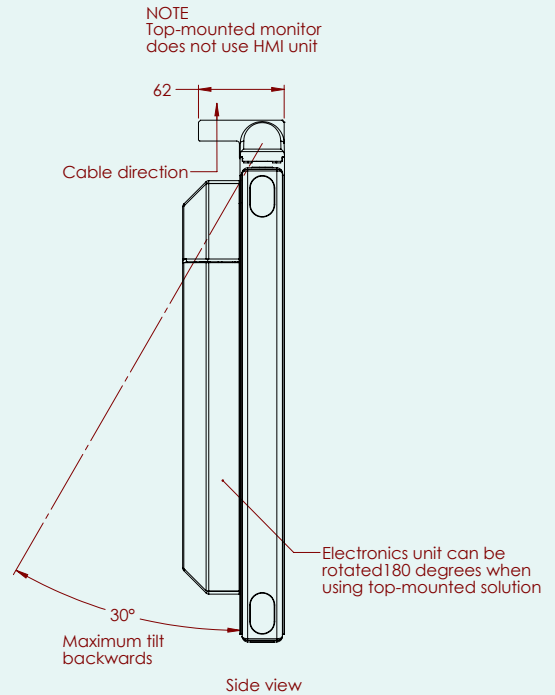
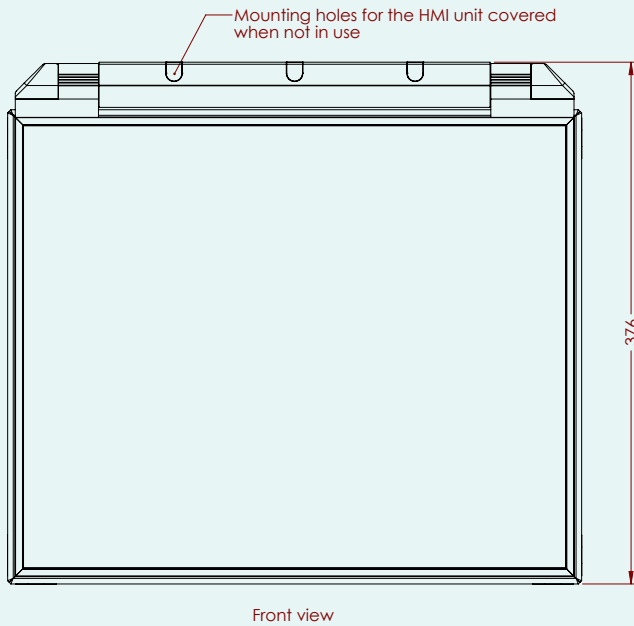
NORTH INVENT
 Sørhauggata 128,
 NO-5527 Haugesund, Norway
 Phone: + 47 48 84 02 00



WAVE 19" MONITOR

WAVE 19" WITH TOP MOUNTED HINGE: WA190-01.MON.01-3001

Note: All dimensions are in mm.



WA190-DS-REV3.0-01.2015

Specifications subject to changes without prior notice. The contents of this page are property of North Invent Norway AS. All rights herein are reserved to North Invent Norway AS. This document cannot be reproduced without the written permission of the company.

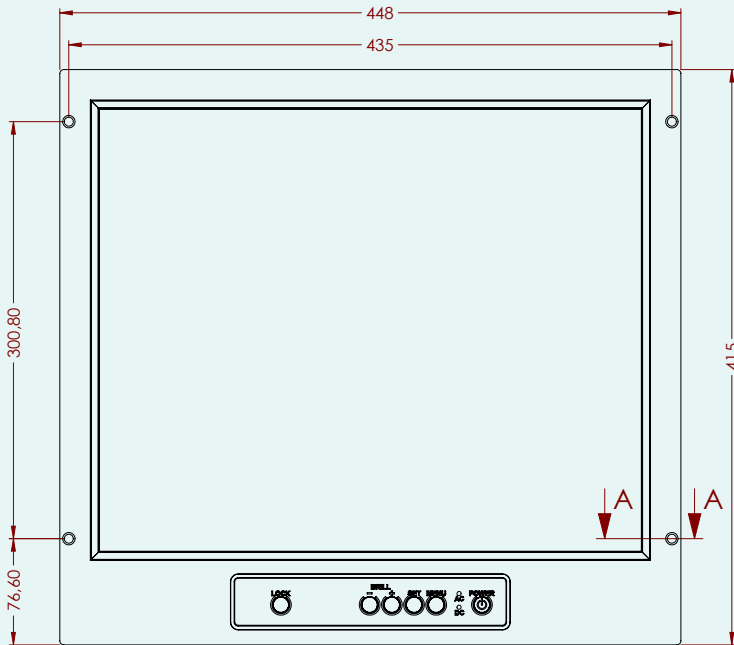
NORTH INVENT
 Sørhauggata 128,
 NO-5527 Haugesund, Norway
 Phone: + 47 48 84 02 00



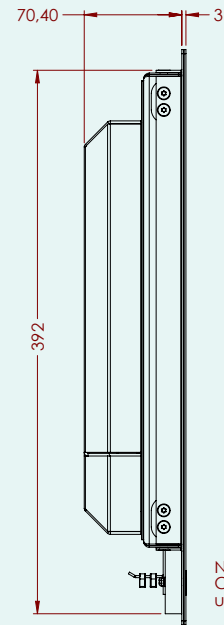
WAVE 19" MONITOR

WAVE 19" PANEL MOUNTED WITH INTEGRATED HMI: WA190-01.MON.01-4001

Note: All dimensions are in mm. Outer dimensions are flexible.

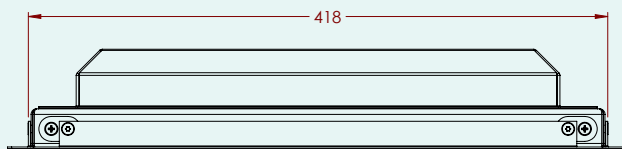


Front view

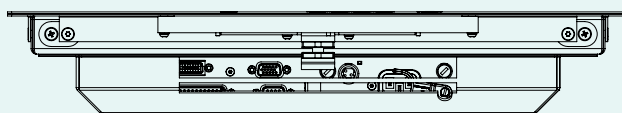


Side view

NOTE
Cable from the HMI
unit is not shown

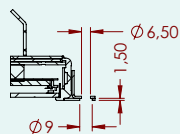


Top view



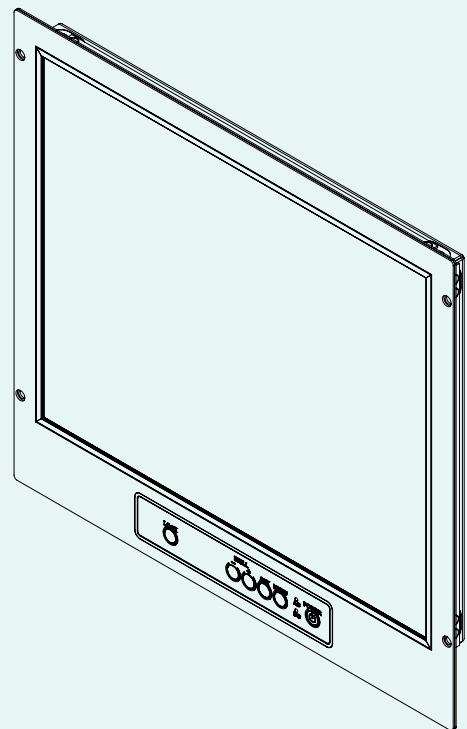
Bottom view

Mounting hole



Recommended screw
Countersunk flat head screw
ISO 7046 M4 X L

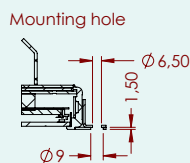
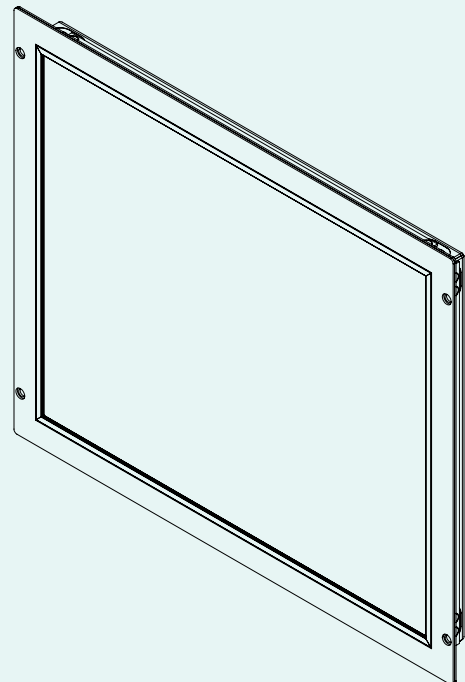
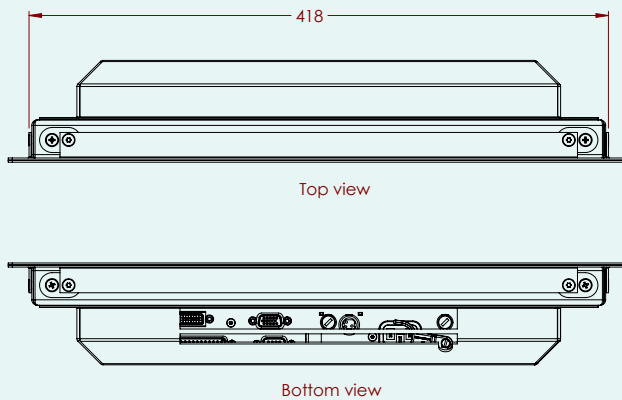
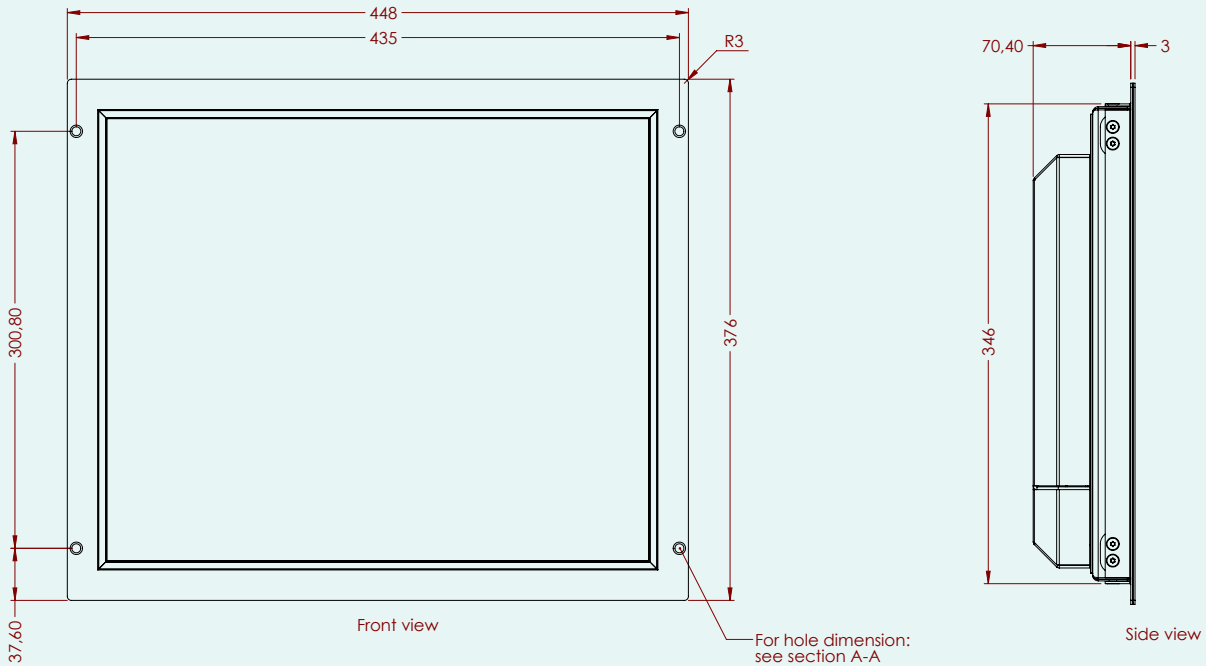
SECTION A-A



WAVE 19" MONITOR

WAVE 19" PANEL MOUNTED WITHOUT INTEGRATED HMI: WA190-01.MON.01-5001

Note: All dimensions are in mm. Outer dimensions are flexible.

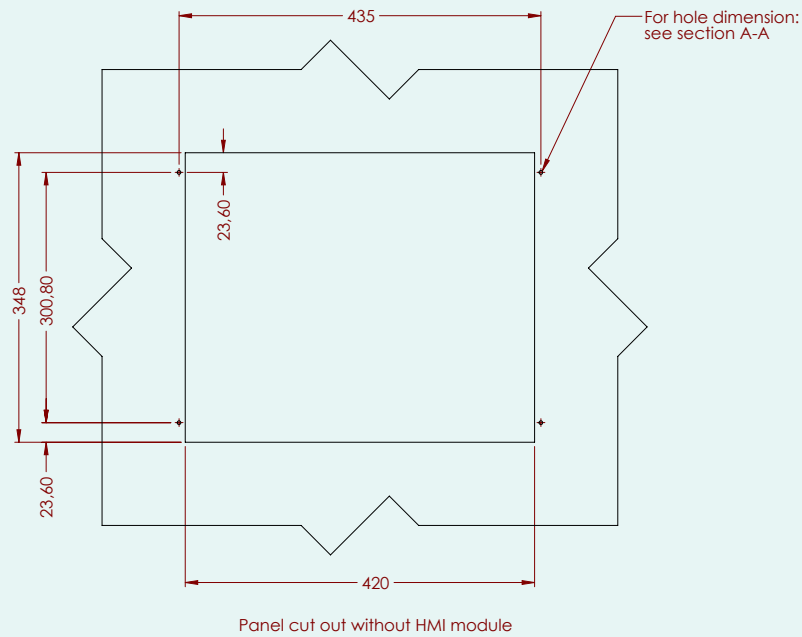
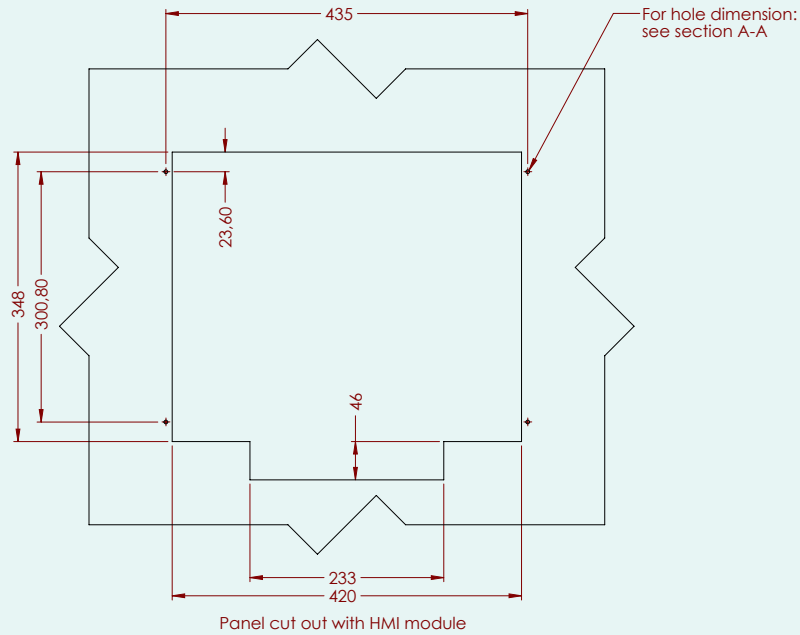


Recommended screw
 Countersunk flat head screw
 ISO 7046 M4 X L
SECTION A-A

WAVE 19" MONITOR

WAVE 19" PANEL CUT OUT FOR PANEL MOUNTING KITS

Note: All dimensions are in mm.



WA190-DS-REV3.0-01.2015

Specifications subject to changes without prior notice. The contents of this page are property of North Invent Norway AS. All rights herein are reserved to North Invent Norway AS. This document cannot be reproduced without the written permission of the company.

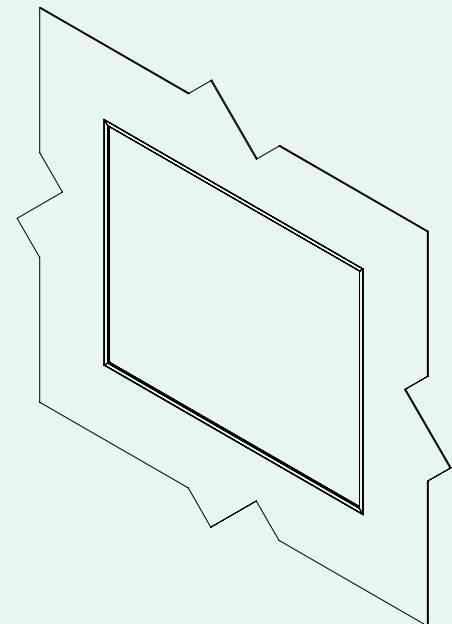
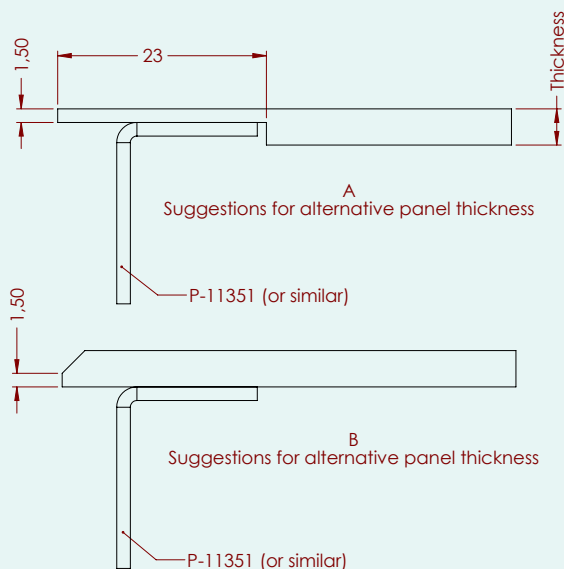
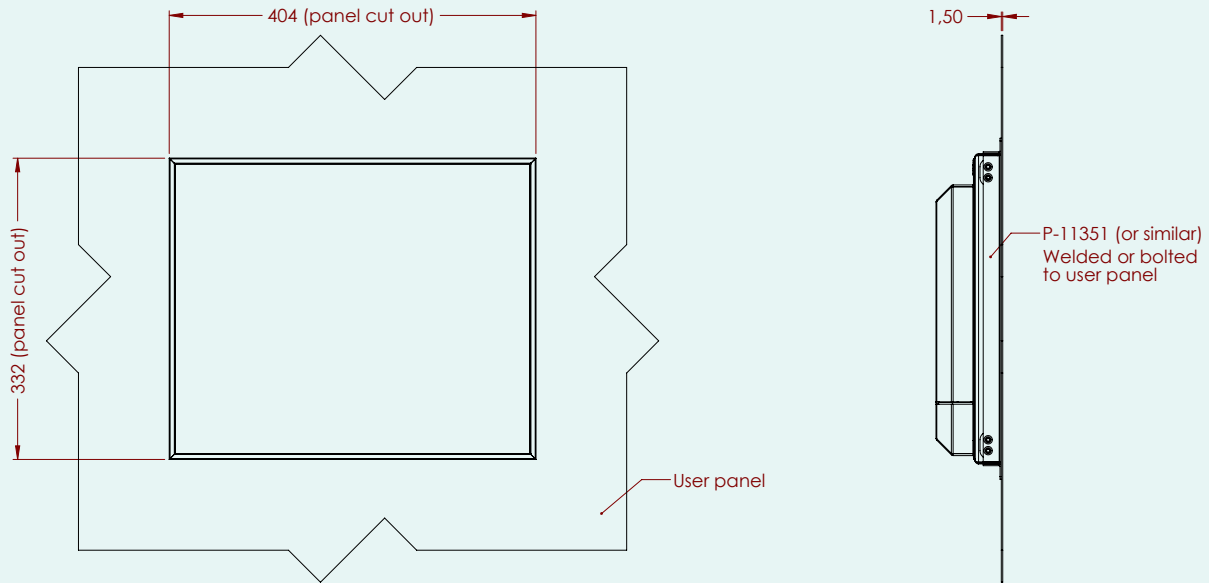
NORTH INVENT
 Sørhauggata 128,
 NO-5527 Haugesund, Norway
 Phone: + 47 48 84 02 00



WAVE 19" MONITOR

WAVE 19" PANEL CUT OUT FOR FLUSH MOUNTING FROM BACKSIDE

Note: All dimensions are in mm.



WA190-DS-REV3.0-01.2015

Specifications subject to changes without prior notice. The contents of this page are property of North Invent Norway AS. All rights herein are reserved to North Invent Norway AS. This document cannot be reproduced without the written permission of the company.

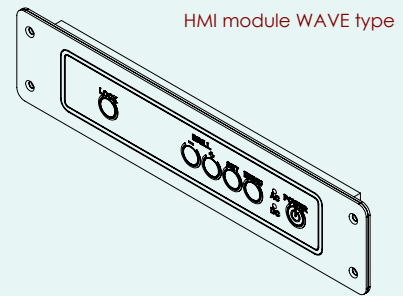
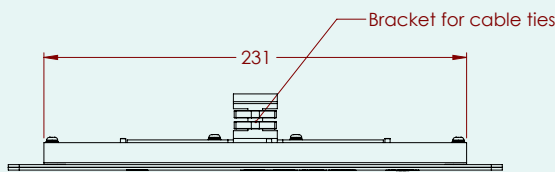
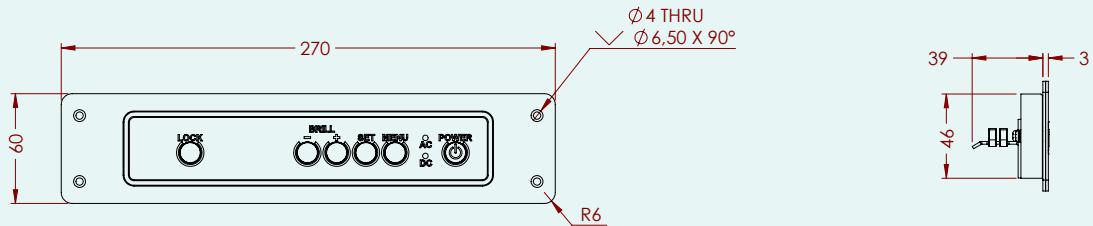
NORTH INVENT
 Sørhauggata 128,
 NO-5527 Haugesund, Norway
 Phone: + 47 48 84 02 00



WAVE 19" MONITOR

WAVE 19" HMI STAND ALONE CUT OUT: WA-01.HMI.02.0001

Note: All dimensions are in mm.



Only for use with panel mounted monitor

