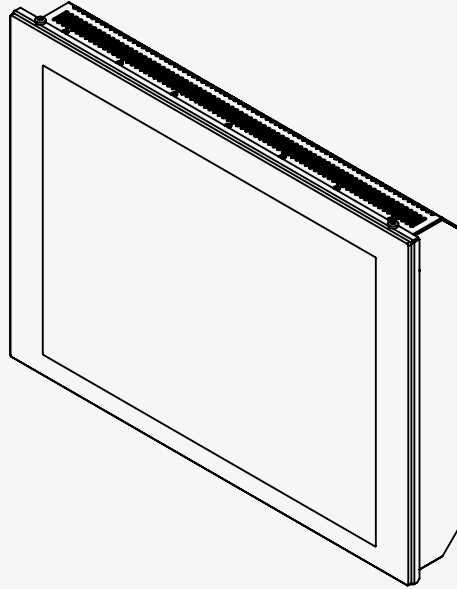


21.3" MONITOR



SUMMARY

CUSTOMER ID	130047	NORTH INVENT PART NO	AA213 000 037 (Use for ordering)
COMPANY NAME	North Invent Norway	NORTH INVENT TYPE NO	AA213-01.MON.04-Z037
VAT	987884002VAT	DRAWING REFERENCE	AA213 000 037 DRW
ADDRESS	Sørhauggata 128		
	5527 Haugesund		
	NORWAY		

REVISION HISTORY

APPROVED	CHECKED	DRAWN	STATUS	DESCRIPTION
20180219 OKJ	20180219 OKJ	20180219 RNO	Issued for Customer Review	Initial Release

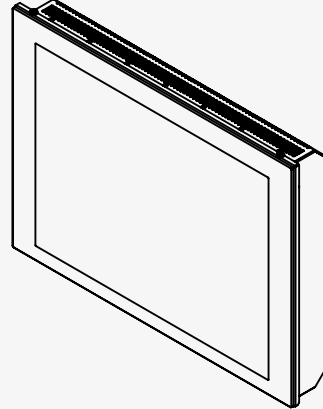
2018021702 20180219-A1-Re-Issued for Preliminary distribution

21.3" MONITOR

North Invent Monitors offer a variety of well-designed, rugged LED displays for marine use. Monitors can be customized to comply with specific customer needs.

We ensure that our monitors are compliant with the relevant marine and MIL standards, and we will present type approvals per request.

Our monitors are provided with either AC, DC or AC/DC Multipower, whereas our proprietary controllerboard offer extended functionality and connectivity options.

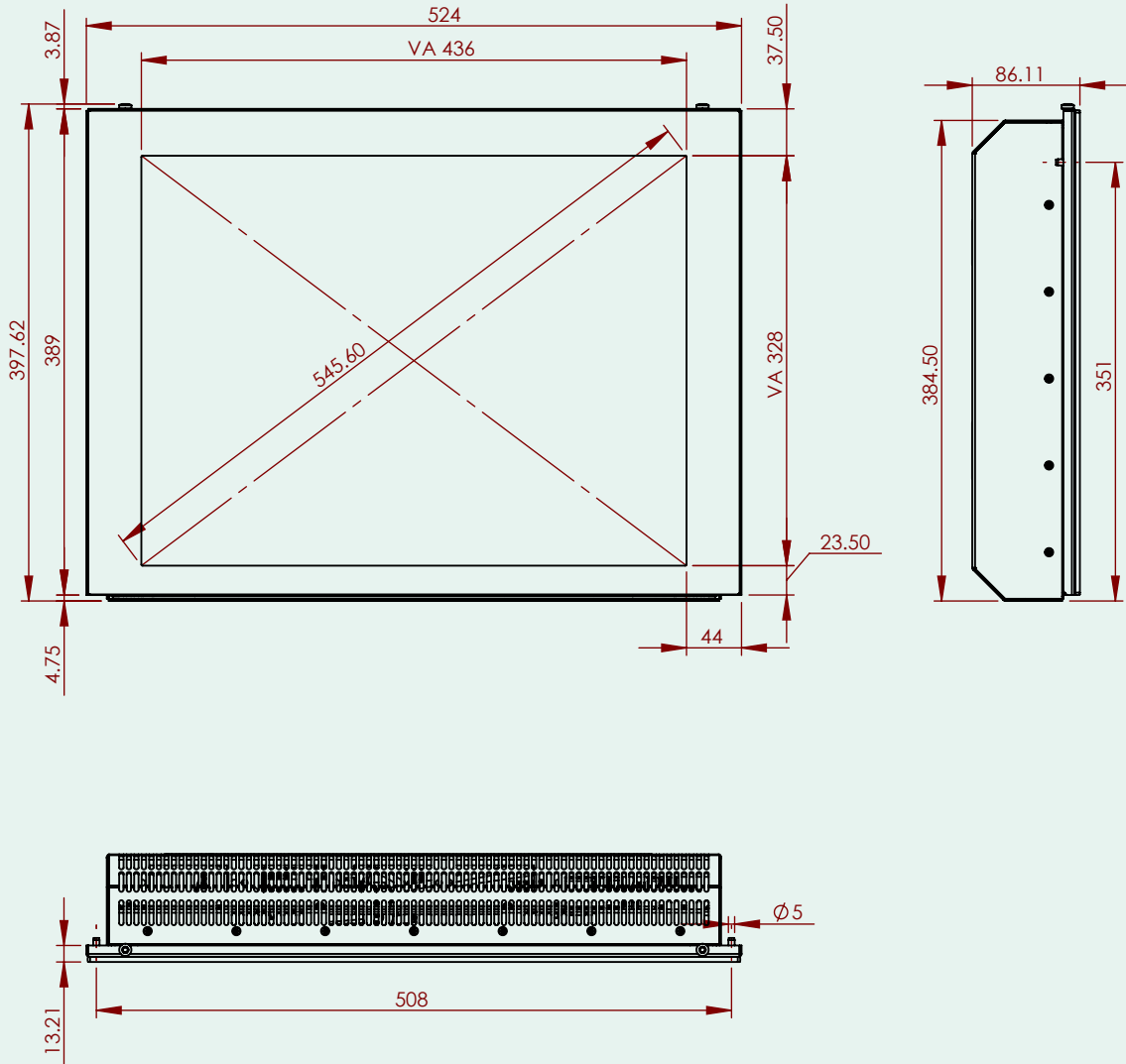


TECHNICAL SPECIFICATIONS 21.3" MONITOR AA213 000 037

MATCHING STANDARDS (PENDING)	IEC 60945, IACS E10, MIL-STD-461E, MIL-STD-167-1A, IEC61000-4-2, selected parts of MIL-STD-810F & MIL-STD-810G, REACH (EC 1907/2006), RoHS2 (2011/65/EU), EMC (2014/30/EU).
DISPLAY SIZE	21.3" - Active area 324 (W) x 432 (H) mm
OVERALL DIMENSIONS	524 (W) x 398 (H) x 86 (D) mm
NET / GROSS WEIGHT	9.3 Kg
RESOLUTION	Max 1600 x 1200 pixels
RESPONSE TIME	11 ms
CONTRAST RATIO	1500:1 (typ)
DOT PITCH	0,31125 (H) x 0,31125 (V) mm
LIGHT INTENSITY	400 cd/m2 (typ)
NUMBERS OF COLOURS	16,7 Millions depending on graphics card
VIEWING ANGLE	±89°
CONTROL KNOBS	NO
SUPPLY VOLTAGE	18-36 VDC ()
POWER CONSUMPTION	Approx. 45 W
GLASS TYPE	4mm Tempered, Anti Reflective Conturan®
INPUT/ CONTROL INPUT	DVI-I (Analogue and Digital), Display port, DDC/CI (DVI & DP), RS 232, 2 x USB 2.0, Micro SD, Ethernet, HMI (15p D-Sub)
OPERATING, STORAGE TEMPERATURE	-15/+70° C, -25/+70° C
BACKLIGHT LIFE	Typ 50.000 Hours
DIMMING RANGE	0-100%
INCLUDED ACCESSORIES	NO
TOUCH	NO

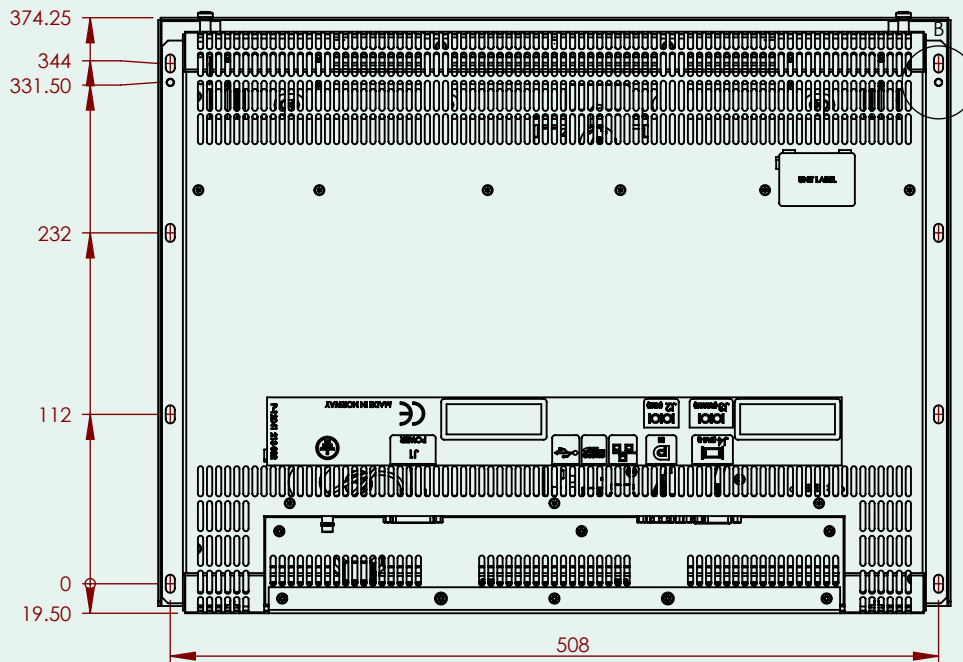
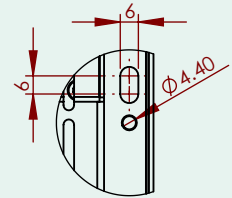
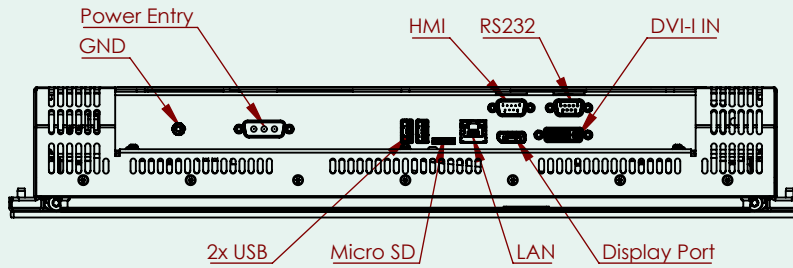
21.3" MONITOR

TECHNICAL SPECIFICATIONS 21.3" MONITOR AA213 000 037



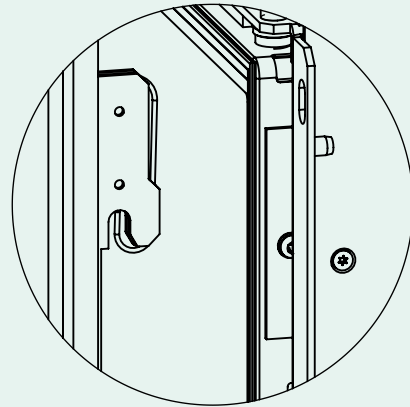
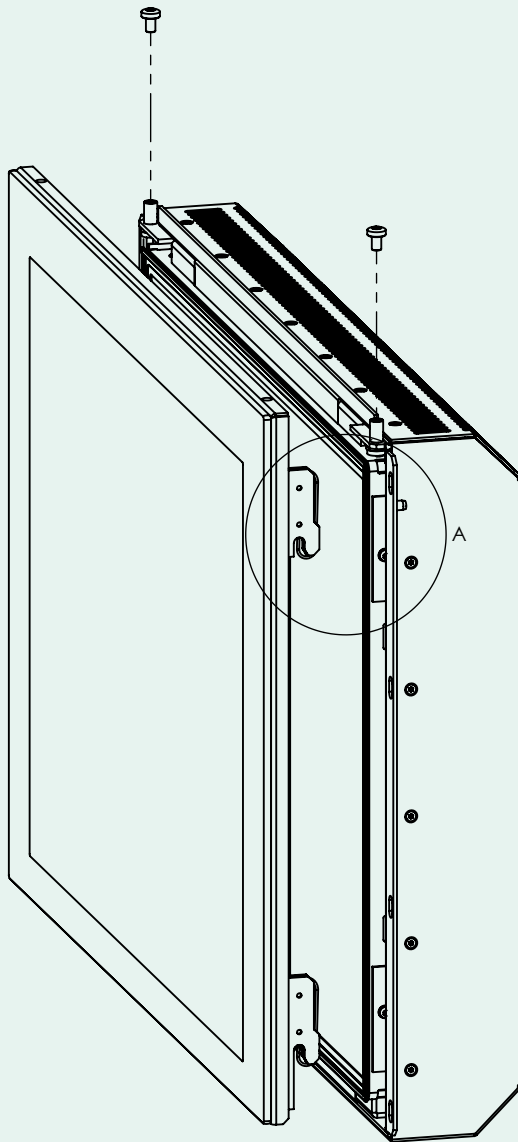
21.3" MONITOR

TECHNICAL SPECIFICATIONS 21.3" MONITOR
AA213 000 037



21.3" MONITOR

TECHNICAL SPECIFICATIONS 21.3" MONITOR
AA213 000 037



DETAIL A
SCALE 1 : 2