

WAVE XL 46" MONITOR



SUMMARY

ID	30047	NORTH INVENT PART NO	WA460-01.MON.01-0002
COMPANY NAME	North Invent Norway	NORTH INVENT TYPE NO	WA460-01.MON.01-0002
VAT	987884002VAT	DRAWING REFERENCE	
ADDRESS	Sørhauggata 128		
	5527 Haugesund		
	NORWAY		

REVISION HISTORY

APPROVED	CHECKED	DRAWN	STATUS	DESCRIPTION
2019.08.27 RNO	2019.08.27 RNO	2019.08.27 RNO	Issued for Customer Review	First Revision
2020.02.21 ØKJ	2020.02.21 ØKJ	2020.02.21 ØKJ	Issued for Customer Review	Second Revision
2022.05.18 ØKJ	2022.05.18 ØKJ	2022.05.18 ØKJ	Production Release	Third Revision

1/3

WAVE XL 46" MONITOR

The Wave XL Monitors are a series of well-designed, rugged LED displays with full glass front and IR multitouch option.

The minimized outer measurements and modular design offer unprecedented configuration and mounting flexibility. The Wave XL can be flush mounted or mounted on the table top using the optional cabinet. It can also be wall- or ceiling mounted and comes with a selection of tilt units and pedestals.

All our monitors are provided with our proprietary controllerboard offering extended functionality and connectivity options.



WAVE XL 46" MULTITOUCH TABLE MOUNTED: WA460-01.MON.01-0002

MATCHING STANDARDS	IEC 60945, IEC 61174 (ECDIS), IEC 60936 (Radar), IEC 62.288 (Navigation), IEC 62.388 (Radar), IACS E10, EMC Directive-2014/30/EU, RoHS, REACH Designed to comply with a selection of MILstandards. Reports available on request.
DISPLAY SIZE	46.0" - 1168.4 mm, Active area 1018.08 (W) X 572.67 (H) mm
OVERALL DIMENSIONS	1062.1 (W) x 616.7 (H) x 78 (D) mm
NET / GROSS WEIGHT	29 Kg
RESOLUTION	Max 1920 x 1080 pixels (Full HD)
RESPONSE TIME	6.5 ms
CONTRAST RATIO	4000:1 (typ)
DOT PITCH	0.53025 (H) x 0.53025 (V) mm
LIGHT INTENSITY	700 cd/m2 (typ)
NUMBERS OF COLOURS	16.7 Millions depending on graphics card
VIEWING ANGLE	±89°
CONTROL KNOBS	NO (Controllable by standard mouse interface). Optional HMI unit available.
SUPPLY VOLTAGE	90-264 VAC (IEC Inlet)
POWER CONSUMPTION	Approx. 90W
COLOUR	RAL 9005 Fine Structure
ENCLOSURE PROTECTION	IP 65 (From Front)
GLASS TYPE	5mm Tempered, Anti Reflective Conturan®
INPUT/ CONTROL INPUT	2 x DVI-I (Analogue AND Digital), DVI OUT, 2 x Display port, DDC/CI (DVI & DP), RS 422/485, 2 x USB 2.0, Micro SD, 2 x Ethernet, HMI (15p D-Sub Female), RS 232 (9p D-Sub Female)
OPERATING / STORAGE TEMPERATURE	-15 to +55° C (IEC 60945) / -20 to +70° C
BACKLIGHT LIFE	Typ 50.000 Hours
DIMMING RANGE	0-100%
INCLUDED ACCESSORIES	Cabinet with HMI.
TOUCH	10 point infrared Multitouch
ADDITIONAL FEATURE	Onboard iMX6 CPU

2/3

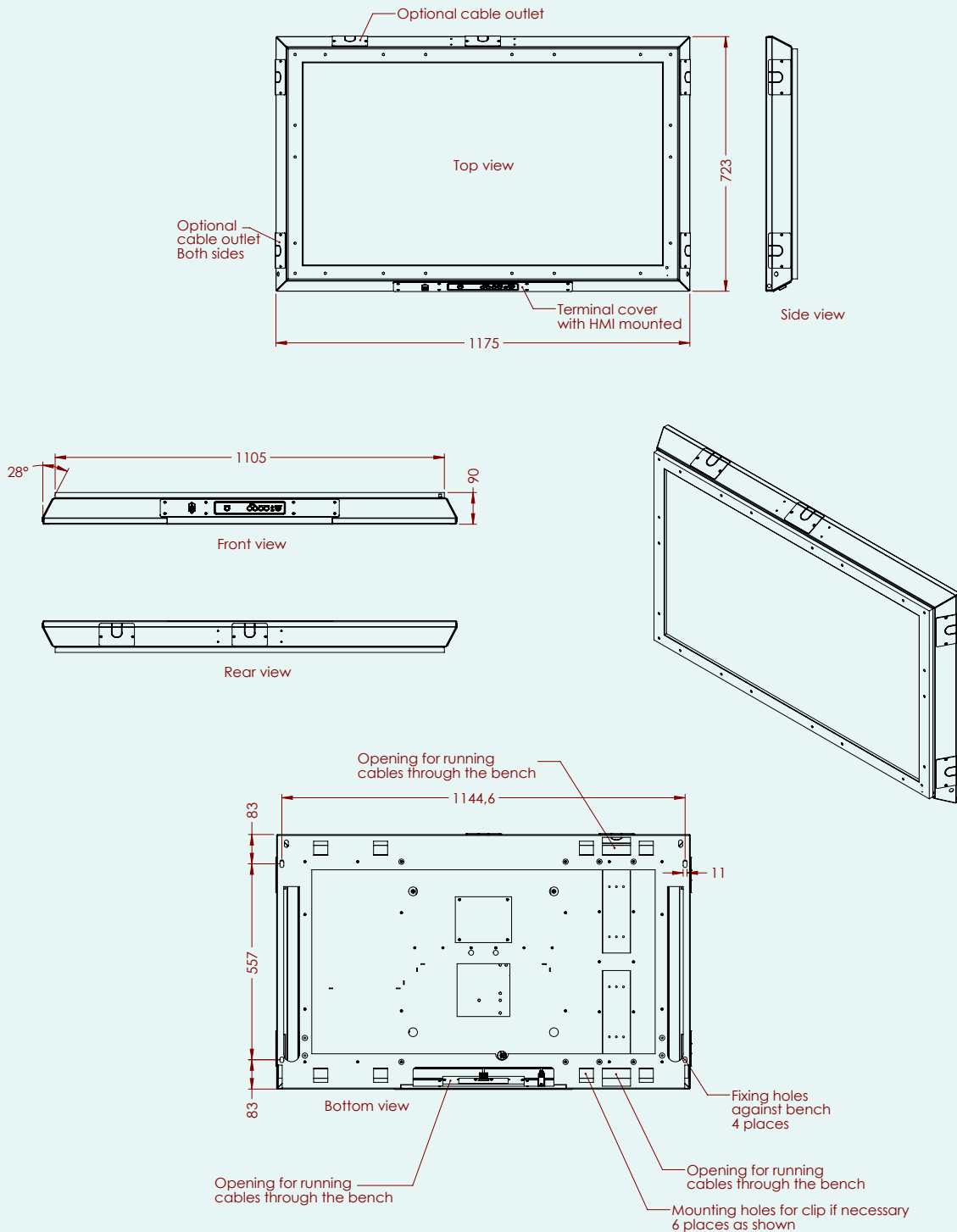
Specifications subject to changes without prior notice. The contents of this page are property of North Invent Norway AS. All rights herein are reserved to North Invent Norway AS. This document cannot be reproduced without the written permission of the company.

NORTH INVENT
Sørhauggata 128,
NO-5527 Haugesund, Norway
Phone: +47 48 84 02 00



WAVE XL 46" MONITOR

WAVE XL 46" MULTITOUCH TABLE MOUNTED: WA460-01.MON.01-0002



3/3

Specifications subject to changes without prior notice. The contents of this page are property of North Invent Norway AS. All rights herein are reserved to North Invent Norway AS. This document cannot be reproduced without the written permission of the company.

NORTH INVENT
Sørhauggata 128,
NO-5527 Haugesund, Norway
Phone: +47 48 84 02 00

