

# WAVE XL 46" MONITOR



## SUMMARY

<b>ID</b>	30047	<b>NORTH INVENT PART NO</b>	WA460-01.MON.01-3002
<b>COMPANY NAME</b>	North Invent Norway	<b>NORTH INVENT TYPE NO</b>	WA460-01.MON.01-3002
<b>VAT</b>	987884002VAT	<b>DRAWING REFERENCE</b>	
<b>ADDRESS</b>	Sørhauggata 128		
	5527 Haugesund		
	NORWAY		

## REVISION HISTORY

APPROVED	CHECKED	DRAWN	STATUS	DESCRIPTION
2019.08.27 RNO	2019.08.27 RNO	2019.08.27 RNO	Issued for Customer Review	First Revision
2020.02.21 ØKJ	2020.02.21 ØKJ	2020.02.21 ØKJ	Issued for Customer Review	Second Revision
2022.05.18 ØKJ	2022.05.18 ØKJ	2022.05.18 ØKJ	Production Release	Third Revision

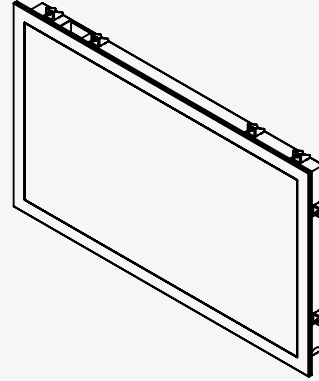
1/6

# WAVE XL 46" MONITOR

The Wave XL Monitors are a series of well-designed, rugged LED displays with full glass front and IR multitouch option.

The minimized outer measurements and modular design offer unprecedented configuration and mounting flexibility. The Wave XL can be flush mounted or mounted on the table top using the optional cabinet. It can also be wall- or ceiling mounted and comes with a selection of tilt units and pedestals.

All our monitors are provided with our proprietary controllerboard offering extended functionality and connectivity options.



## TECHNICAL SPECIFICATIONS WA460-01.MON.01-3002

<b>MATCHING STANDARDS</b>	IEC 60945, IEC 61174 (ECDIS), IEC 60936 (Radar), IEC 62.288 (Navigation), IEC 62.388 (Radar), IACS E10, EMC Directive-2014/30/EU, RoHS, REACH Designed to comply with a selection of MILstandards. Reports available on request.
<b>DISPLAY SIZE</b>	46.0" - 1168.4 mm, Active area 1018.08 (W) X 572.67 (H) mm
<b>OVERALL DIMENSIONS</b>	1062.1 (W) x 616.7 (H) x 78 (D) mm
<b>NET / GROSS WEIGHT</b>	29 Kg
<b>RESOLUTION</b>	Max 1920 x 1080 pixels (Full HD)
<b>RESPONSE TIME</b>	6.5 ms
<b>CONTRAST RATIO</b>	4000:1 (typ)
<b>DOT PITCH</b>	0.53025 (H) x 0.53025 (V) mm
<b>LIGHT INTENSITY</b>	700 cd/m2 (typ)
<b>NUMBERS OF COLOURS</b>	16.7 Millions depending on graphics card
<b>VIEWING ANGLE</b>	±89°
<b>CONTROL KNOBS</b>	NO (Controllable by standard mouse interface). Optional HMI unit available.
<b>SUPPLY VOLTAGE</b>	90-264 VAC (IEC Inlet)
<b>POWER CONSUMPTION</b>	Approx. 90W
<b>COLOUR</b>	RAL 9005 Fine Structure
<b>ENCLOSURE PROTECTION</b>	IP 65 (From Front)
<b>GLASS TYPE</b>	5mm Tempered, Anti Reflective Conturan®
<b>INPUT/ CONTROL INPUT</b>	2 x DVI-I (Analogue AND Digital), DVI OUT, 2 x Display port, DDC/CI (DVI & DP), RS 422/485, 2 x USB 2.0, Micro SD, 2 x Ethernet, HMI (15p D-Sub Female), RS 232 (9p D-Sub Female)
<b>OPERATING / STORAGE TEMPERATURE</b>	-15 to +55° C (IEC 60945) / -20 to +70° C
<b>BACKLIGHT LIFE</b>	Typ 50.000 Hours
<b>DIMMING RANGE</b>	0-100%
<b>INCLUDED ACCESSORIES</b>	HMI Unit. Optional cabinet, pedestal or tilt units for roof/wall mounting available.
<b>TOUCH</b>	10 point infrared Multitouch
<b>ADDITIONAL FEATURE</b>	Onboard iMX6 CPU

2/6

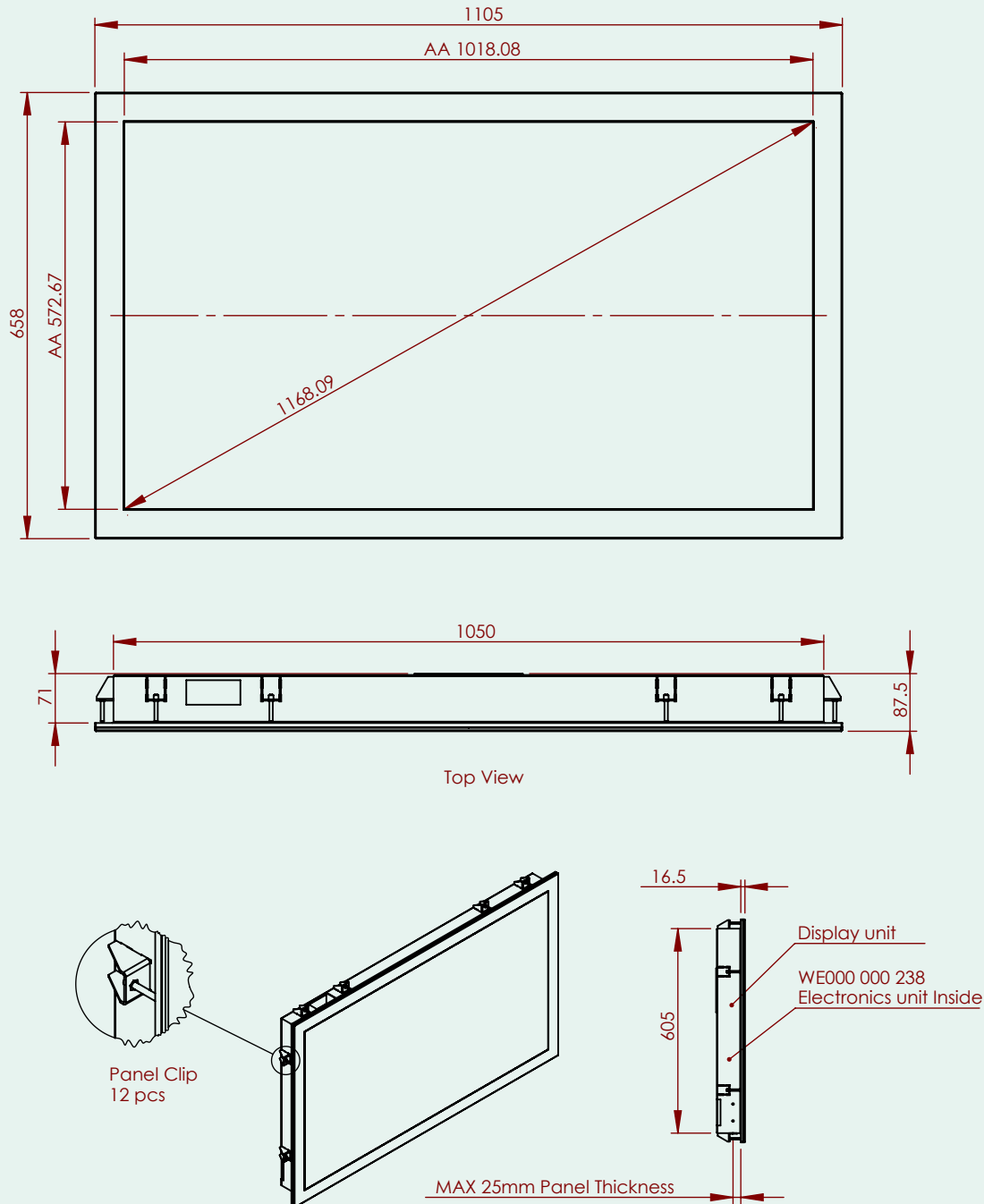
Specifications subject to changes without prior notice. The contents of this page are property of North Invent Norway AS. All rights herein are reserved to North Invent Norway AS. This document cannot be reproduced without the written permission of the company.

**NORTH INVENT**  
Sørhauggata 128,  
NO-5527 Haugesund, Norway  
Phone: +47 48 84 02 00



# WAVE XL 46" MONITOR

TECHNICAL SPECIFICATIONS  
WA460-01.MON.01-3002

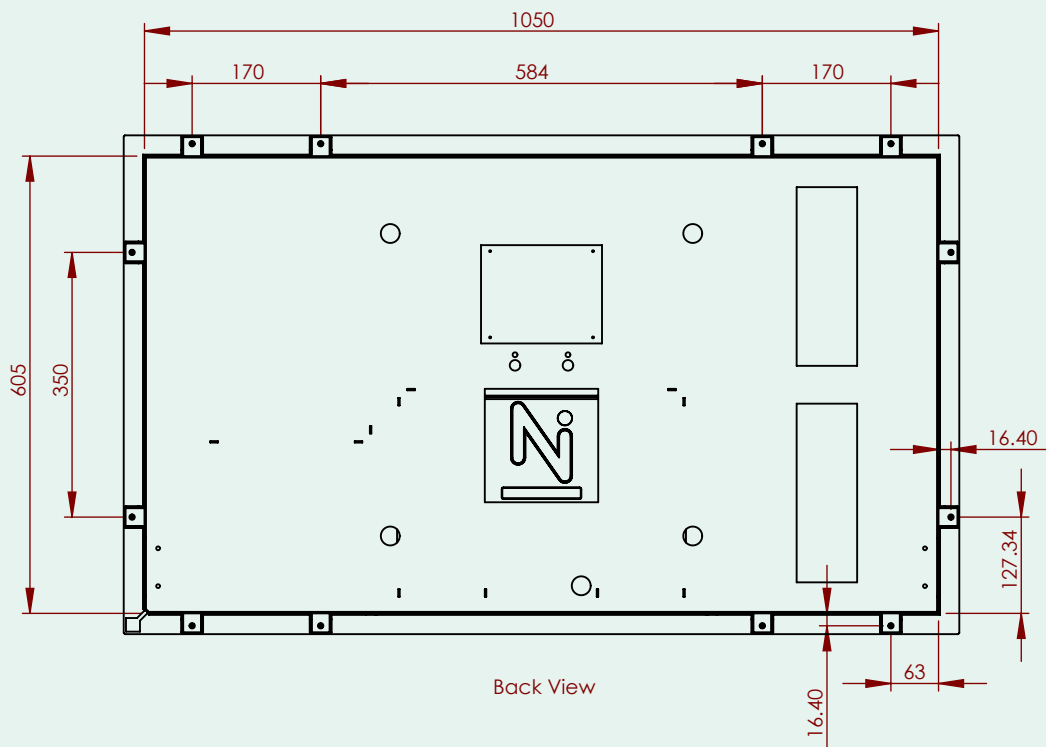


# WAVE XL 46" MONITOR

TECHNICAL SPECIFICATIONS  
WA460-01.MON.01-3002



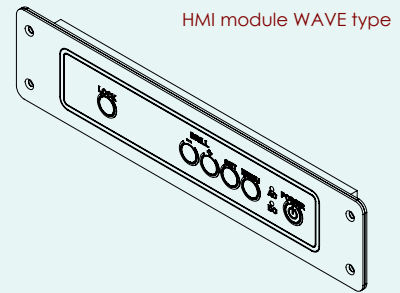
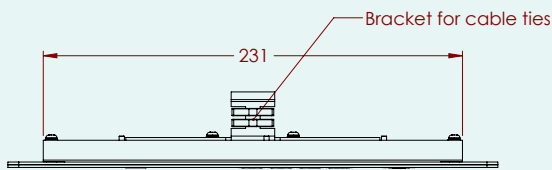
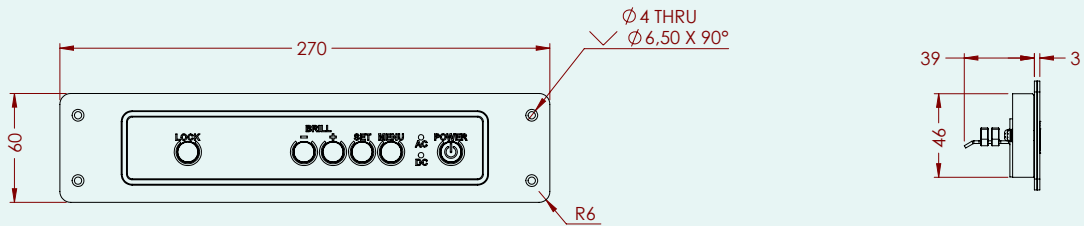
Bottom View



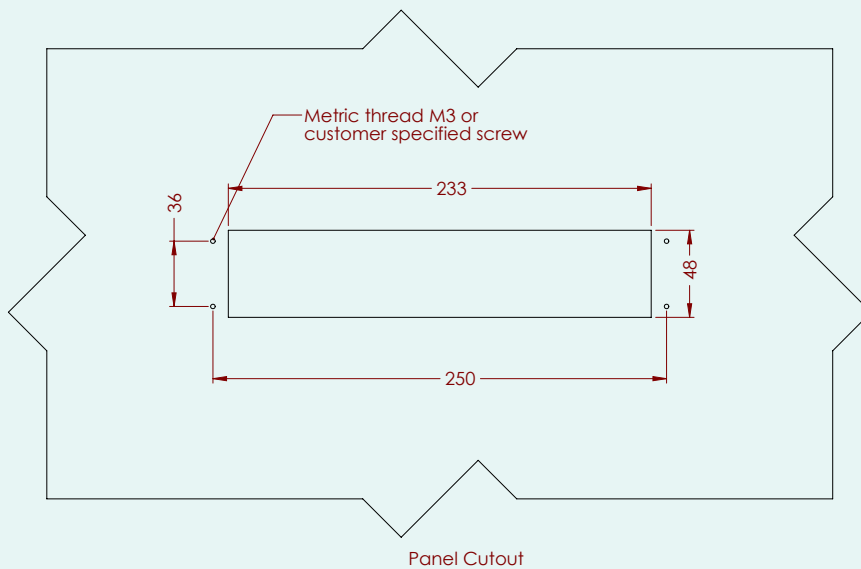
# WAVE XL 46" MONITOR

HMI UNIT INCLUDED

Note: All dimensions are in mm.



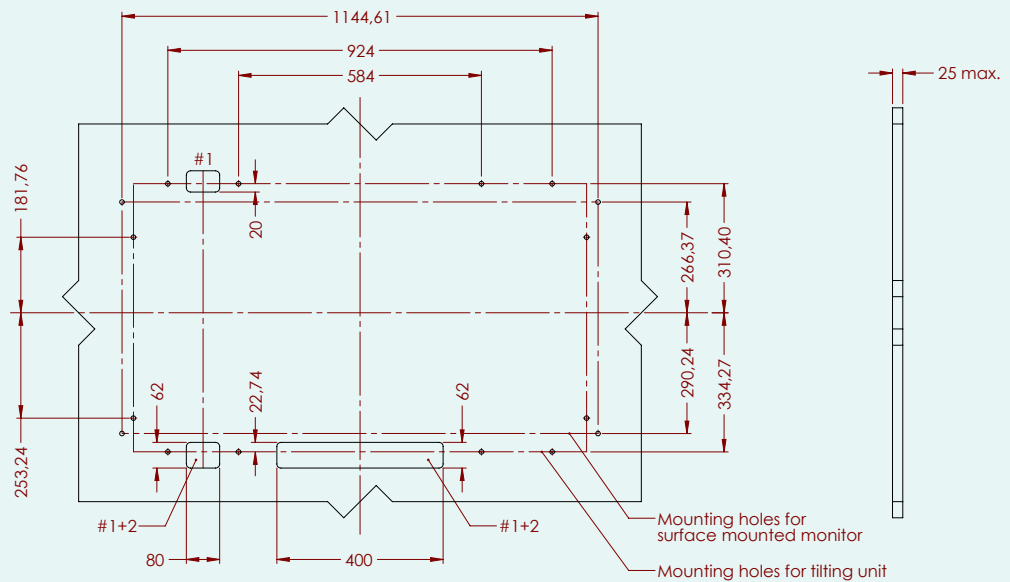
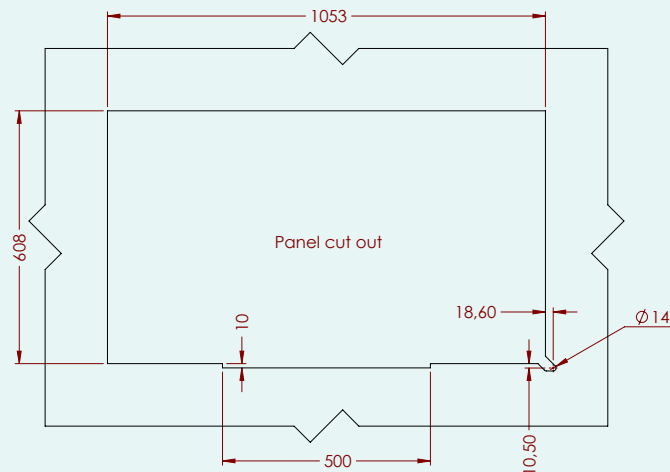
Only for use with panel mounted monitor



# WAVE XL 46" MONITOR

## WAVE XL 46" PANEL CUT OUT

Note: All dimensions are in mm.



Panel cut out with surface mount and tilting unit.

- #1 Alternative holes for surface mounted monitor
- #2 Alternative holes for mounted monitor with tilting unit

# WAVE XL, 46" MONITOR

TECHNICAL SPECIFICATIONS  
WA460-01.MON.01-3002

