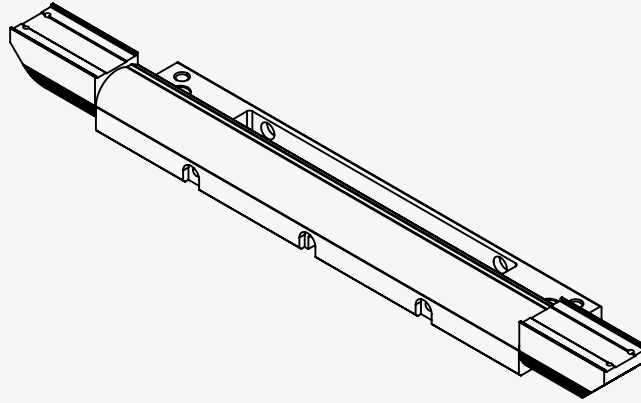


WAVE II, 18.5" HINGE



SUMMARY

ID	30047	NORTH INVENT PART NO	WE185 000 069 (Use for ordering)
COMPANY NAME	North Invent Norway	NORTH INVENT TYPE NO	WE185-01.HIN.01-0069
VAT	987884002VAT	DRAWING REFERENCE	WE185 000 069 DRW
ADDRESS	Sørhauggata 128		
	5527 Haugesund		
	NORWAY		

REVISION HISTORY

APPROVED	CHECKED	DRAWN	STATUS	DESCRIPTION
2018.06.19 RNO	2018.06.19 RNO	2018.06.19 RNO	Issued for Customer Review	First Revision

2018022201 2019.01.18-B1-General Update

1/4

Specifications subject to changes without prior notice. The contents of this page are property of North Invent Norway AS. All rights herein are reserved to North Invent Norway AS. This document cannot be reproduced without the written permission of the company.

NORTH INVENT
Sørhauggata 128,
NO-5527 Haugesund, Norway
Phone: +47 48 84 02 00

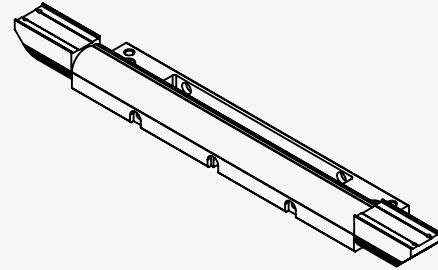


WAVE II, 18.5" HINGE

The Wave II Monitors are a series of well-designed, rugged LED displays with full glass front and PCAP multitouch option.

The minimized outer measurements and modular design offer unprecedented configuration and mounting flexibility. Our unique hinge design ensures that table-top or ceiling mounting is equally easy and visually appealing as flush mounting the glass front into a cut-out.

All our monitors are provided with either AC, DC or AC/DC Multipower, whereas our proprietary controllerboard offer extended functionality and connectivity options.



TECHNICAL SPECIFICATIONS WE185 000 069

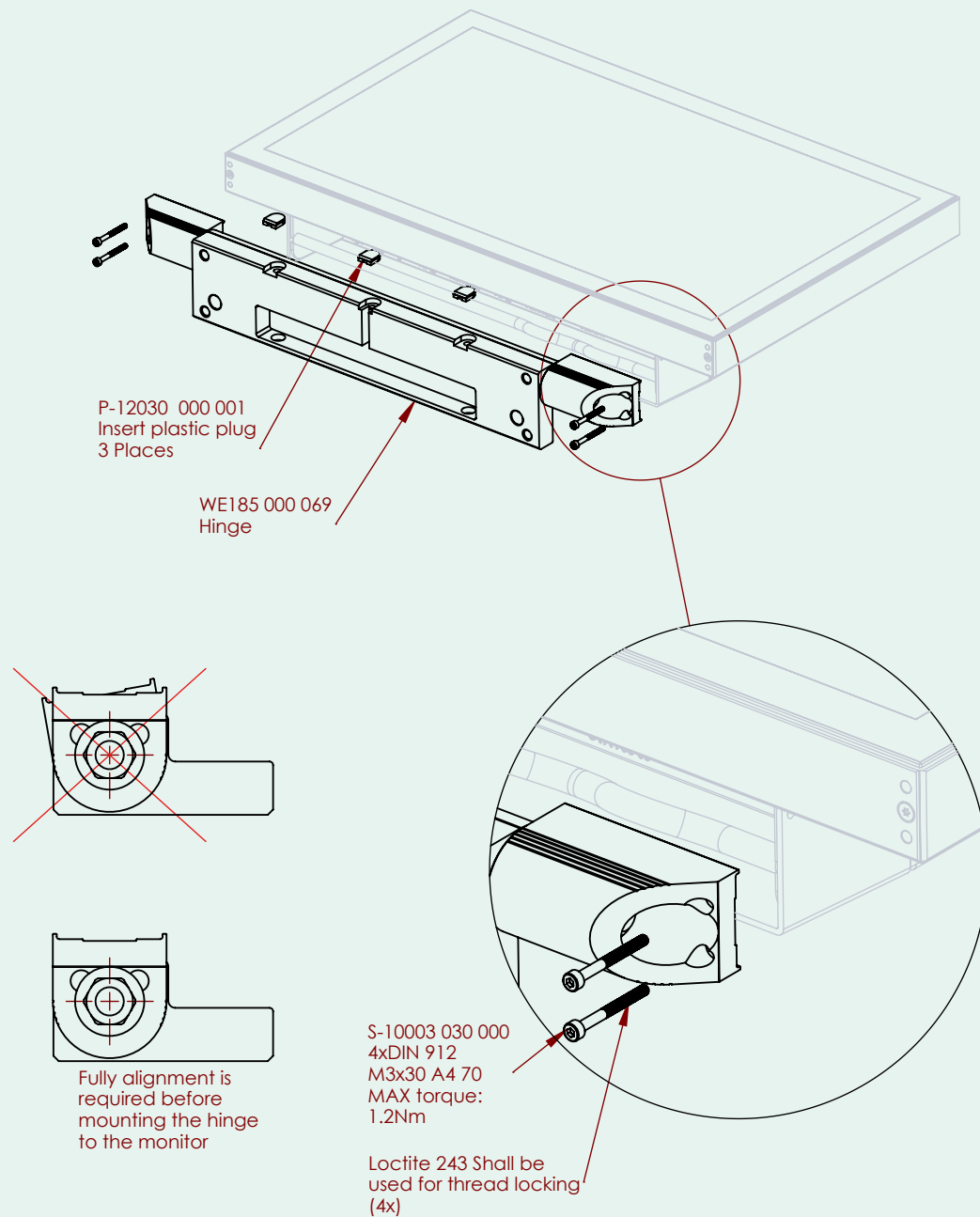
MATCHING STANDARDS

IEC 60945, IACS E10, RoHS, REACH

OVERALL DIMENSIONS	445 (W) x 35.8 (H) x 62 (D) mm
NET / GROSS WEIGHT	1.1 kg
COLOUR	RAL 9005 Fine Structure
TILT ANGLE	30°
MATERIAL	Aluminium
MATCHING ACCESSORIES	Wave II HMI Unit for Hinge
OPERATING / STORAGE TEMPERATURE	-15/+70° C, -15/+70° C (+5/+158° F, +5/+158° F)

WAVE II, 18.5" HINGE

TECHNICAL SPECIFICATIONS
WE185 000 069



WAVE II, 18.5" HINGE

TECHNICAL SPECIFICATIONS WE185 000 069

