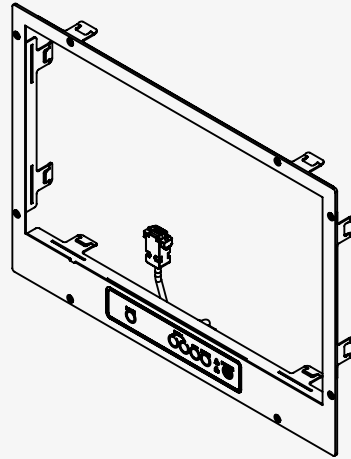


WAVE II, II 18.5" PANEL



SUMMARY

| | | | |
|---------------------|---------------------|-----------------------------|----------------------------------|
| ID | 130047 | NORTH INVENT PART NO | WE185 000 210 (Use for ordering) |
| COMPANY NAME | North Invent Norway | NORTH INVENT TYPE NO | WE185-01.PAN.02-Z210 |
| VAT | 987884002VAT | DRAWING REFERENCE | WE185 000 210 DRW |
| ADDRESS | Sørhauggata 128 | | |
| | 5527 Haugesund | | |
| | NORWAY | | |

REVISION HISTORY

| APPROVED | CHECKED | DRAWN | STATUS | DESCRIPTION |
|-------------------|-------------------|-------------------|----------------------------|----------------|
| 2019.02.20 OKJ | 2019.02.20 OKJ | 2019.02.20 RNO | Issued for Use | General Update |
| 2019.02.20 RNO | 2019.02.20 RNO | 2019.02.20 RNO | Issued for Customer Review | First Revision |
| | | | | |
| | | | | |
| | | | | |

2018022001 2019.03.27-B2-Material and Accessories

1/5

Specifications subject to changes without prior notice. The contents of this page are property of North Invent Norway AS. All rights herein are reserved to North Invent Norway AS. This document cannot be reproduced without the written permission of the company.

NORTH INVENT
Sørhauggata 128,
NO-5527 Haugesund, Norway
Phone: +47 48 84 02 00

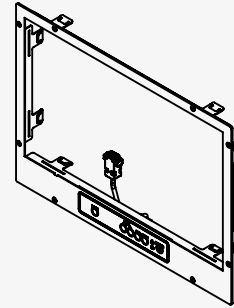


WAVE II, II 18.5" PANEL

The Wave II Monitors are a series of well-designed, rugged LED displays with full glass front and PCAP multitouch option.

The minimized outer measurements and modular design offer unprecedented configuration and mounting flexibility. Our unique hinge design ensures that table-top or ceiling mounting is equally easy and visually appealing as flush mounting the glass front into a cut-out.

All our monitors are provided with either AC, DC or AC/DC Multipower, whereas our proprietary controllerboard offer extended functionality and connectivity options.



TECHNICAL SPECIFICATIONS WE185 000 210

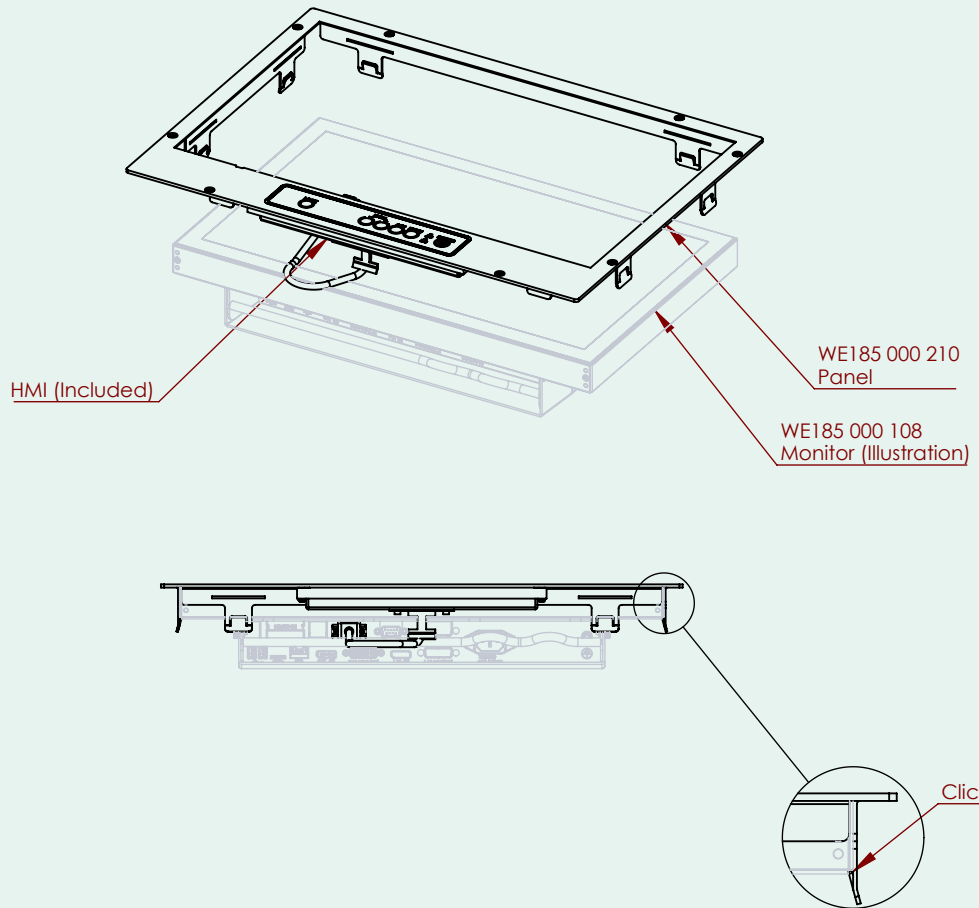
MATCHING STANDARDS

IEC 60945, IACS E10, RoHS, REACH

| | |
|---------------------------------|---|
| OVERALL DIMENSIONS | 483 (W) x 345.6 (H) x 44 (D) mm |
| NET / GROSS WEIGHT | 1.7 / 2.7 kg |
| COLOUR | RAL 9005 Fine Structure |
| MATERIAL | Carbon Steel |
| MOUNTING CONCEPT | Click On |
| MATCHING ACCESSORIES | Wave II HMI Unit for Panel Mount |
| OPTIONAL | Customized size and mounting holes to adapt to existing cutouts |
| OPERATING / STORAGE TEMPERATURE | -15/+70° C, -15/+70° C (+5/+158° F, +5/+158° F) |
| | |
| | |
| | |
| | |
| | |
| | |
| | |
| | |
| | |
| | |
| | |
| | |
| | |
| | |
| | |
| | |
| | |
| | |
| | |
| | |
| | |
| | |
| | |
| | |
| | |
| | |
| | |
| | |
| | |
| | |
| | |

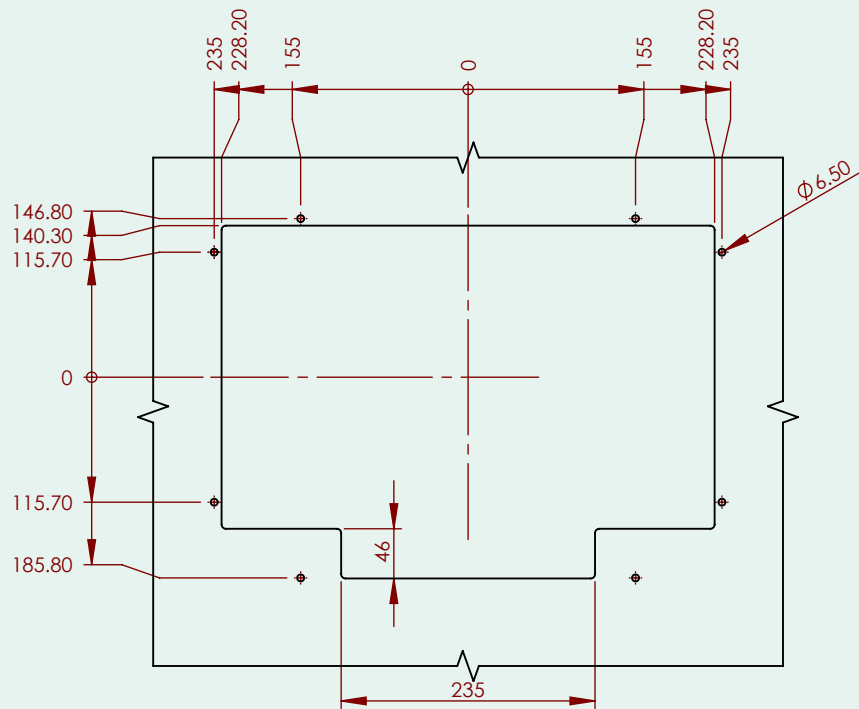
WAVE II, II 18.5" PANEL

TECHNICAL SPECIFICATIONS WE185 000 210



WAVE II, II 18.5" PANEL

TECHNICAL SPECIFICATIONS WE185 000 210



CUTOUT

WAVE II, II 18.5" PANEL

TECHNICAL SPECIFICATIONS WE185 000 210

