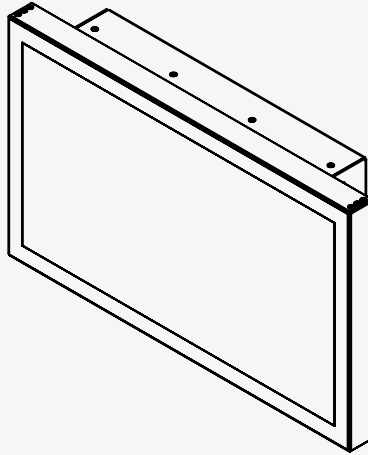


# WAVE II, 18.5" MONITOR



## SUMMARY

|                     |                     |                             |                      |
|---------------------|---------------------|-----------------------------|----------------------|
| <b>ID</b>           | 30047               | <b>NORTH INVENT PART NO</b> | WE185 000 269        |
| <b>COMPANY NAME</b> | North Invent Norway | <b>NORTH INVENT TYPE NO</b> | WE185-01.MON.01-0269 |
| <b>VAT</b>          | 987884002VAT        | <b>DRAWING REFERENCE</b>    | WE185 000 269 DRW    |
| <b>ADDRESS</b>      | Sørhauggata 128     |                             |                      |
|                     | 5527 Haugesund      |                             |                      |
|                     | NORWAY              |                             |                      |

## REVISION HISTORY

| APPROVED          | CHECKED           | DRAWN             | STATUS                     | DESCRIPTION    |
|-------------------|-------------------|-------------------|----------------------------|----------------|
| 2020.07.20<br>OKJ | 2020.07.20<br>OKJ | 2020.07.20<br>RNO | Issued for Use             | General Update |
| 2020.07.20<br>RNO | 2020.07.20<br>RNO | 2020.07.20<br>RNO | Issued for Customer Review | First Revision |
|                   |                   |                   |                            |                |
|                   |                   |                   |                            |                |
|                   |                   |                   |                            |                |

2018022201 2020.06.24-B2-Power Consumption Updated

1/5

Specifications subject to changes without prior notice. The contents of this page are property of North Invent Norway AS. All rights herein are reserved to North Invent Norway AS. This document cannot be reproduced without the written permission of the company.

**NORTH INVENT**  
Sørhauggata 128,  
NO-5527 Haugesund, Norway  
Phone: +47 48 84 02 00

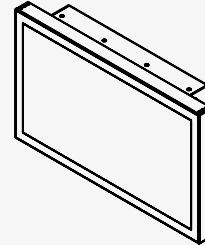


# WAVE II, 18.5" MONITOR

The Wave II Monitors are a series of well-designed, rugged LED displays with full glass front and PCAP multitouch option.

The minimized outer measurements and modular design offer unprecedented configuration and mounting flexibility. Our unique hinge design ensures that table-top or ceiling mounting is equally easy and visually appealing as flush mounting the glass front into a cut-out.

All our monitors are provided with either AC, DC or AC/DC Multipower, whereas our proprietary controllerboard offer extended functionality and connectivity options.



## TECHNICAL SPECIFICATIONS WE185 000 269

### MATCHING STANDARDS

IEC 60945, IEC 60529 (IP), IACS E10, EMC Directive-2014/30/EU, RoHS, REACH

|                                 |  |
|---------------------------------|--|
| DISPLAY SIZE                    | 18,5" - 469.9 mm, Active area 408.96 (W) X 230.04 (H) mm   |
| OVERALL DIMENSIONS              | 448.4 (W) x 272.6 (H) x 78 (D) mm  |
| NET / GROSS WEIGHT              | 6.4 / 9.5 kg   |
| RESOLUTION                      | Max 1920 x 1080 pixels (Full HD)   |
| RESPONSE TIME                   | 20 ms  |
| CONTRAST RATIO                  | 1000:1 (typ)   |
| DOT PITCH                       | 0.213 (H) x 0.213 (V) mm   |
| LIGHT INTENSITY                 | 350 cd/m2 (typ)  |
| NUMBERS OF COLOURS              | 16,7 Millions depending on graphics card   |
| VIEWING ANGLE                   | ±89°   |
| CONTROL KNOBS                   | NO (Controllable by standard mouse interface)  |
| SUPPLY VOLTAGE                  | 18-36 VDC (DFK-MSTB 2,5/ 3-GF-5,08)  |
| POWER CONSUMPTION               | Approx. 34.5W  |
| COLOUR                          | RAL 9005 Fine Structure  |
| ENCLOSURE PROTECTION            | IP 42 (From Front)   |
| GLASS TYPE                      | 3mm Tempered, Anti Reflective Conturan®  |
| INPUT/ CONTROL INPUT            | DVI-I (Analogue and Digital), Display port, DDC/CI (DVI & DP), RS 422/485, 2 x USB 2.0, Micro SD, USB Type B (Touch Only), Ethernet, HMI (15p D-Sub), RS 232 |
| OPERATING / STORAGE TEMPERATURE | -15/+70° C, -15/+70° C (+5/+158° F, +5/+158° F)  |
| BACKLIGHT LIFE                  | Typ 50.000 Hours   |
| DIMMING RANGE                   | 0-100%   |
| INCLUDED ACCESSORIES            | NO   |
| TOUCH                           | NO   |
| ADDITIONAL FEATURE              | Onboard iMX6 CPU   |

2018101001 2020.06.24-B2-Power Consumption Updated

2/5

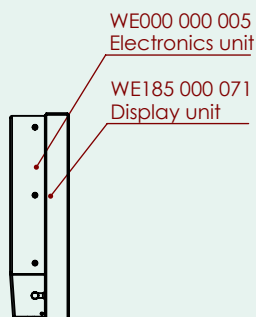
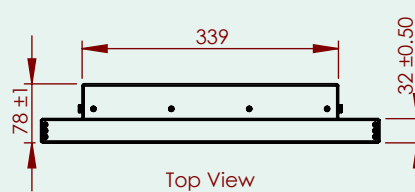
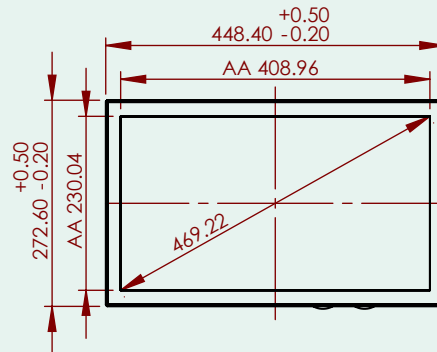
Specifications subject to changes without prior notice. The contents of this page are property of North Invent Norway AS. All rights herein are reserved to North Invent Norway AS. This document cannot be reproduced without the written permission of the company.

**NORTH INVENT**  
Sørhauggata 128,  
NO-5527 Haugesund, Norway  
Phone: +47 48 84 02 00



# WAVE II, 18.5" MONITOR

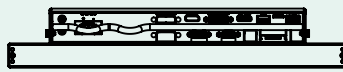
## TECHNICAL SPECIFICATIONS WE185 000 269



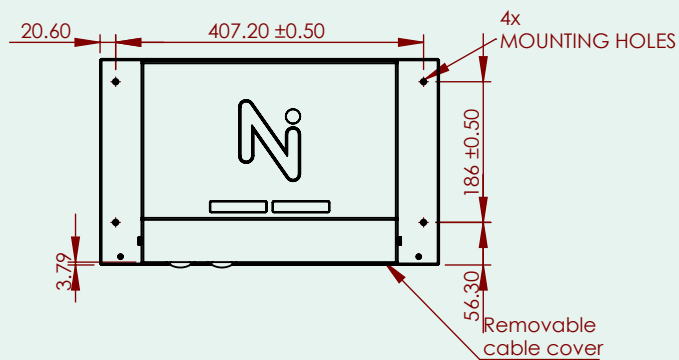
# WAVE II, 18.5" MONITOR

## TECHNICAL SPECIFICATIONS WE185 000 269

Bottom View



Back View



# WAVE II, 18.5" MONITOR

## TECHNICAL SPECIFICATIONS WE185 000 269

Included in Part 1 of 1

| ITEM NO. | PART NUMBER   | DESCRIPTION              | QTY. |
|----------|---------------|--------------------------|------|
| 1        | WE999 000 126 | 1.8m, AC Power Cable     | 1    |
| 2        | WE999 000 128 | 1.8m, Display Port Cable | 1    |

