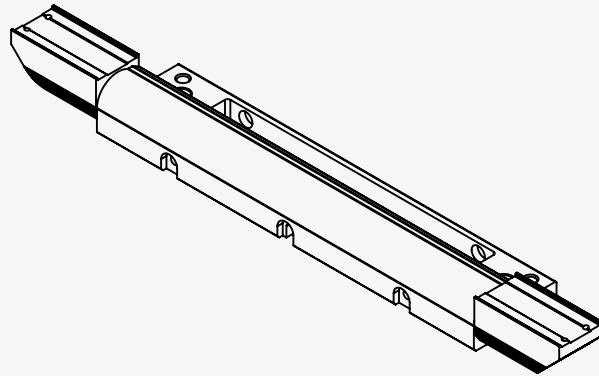


WAVE II, 19" HINGE



SUMMARY

ID	30047	NORTH INVENT PART NO	WE190 000 065 (Use for ordering)
COMPANY NAME	North Invent Norway	NORTH INVENT TYPE NO	WE190-01.HIN.01-0065
VAT	987884002VAT	DRAWING REFERENCE	WE190 000 065 DRW
ADDRESS	Sørhauggata 128		
	5527 Haugesund		
	NORWAY		

REVISION HISTORY

APPROVED	CHECKED	DRAWN	STATUS	DESCRIPTION
2018.10.23 RNO	2018.10.23 RNO	2018.10.23 RNO	Issued for Customer Review	First Revision

2018022201 2019.01.18-B1-General Update

1/4

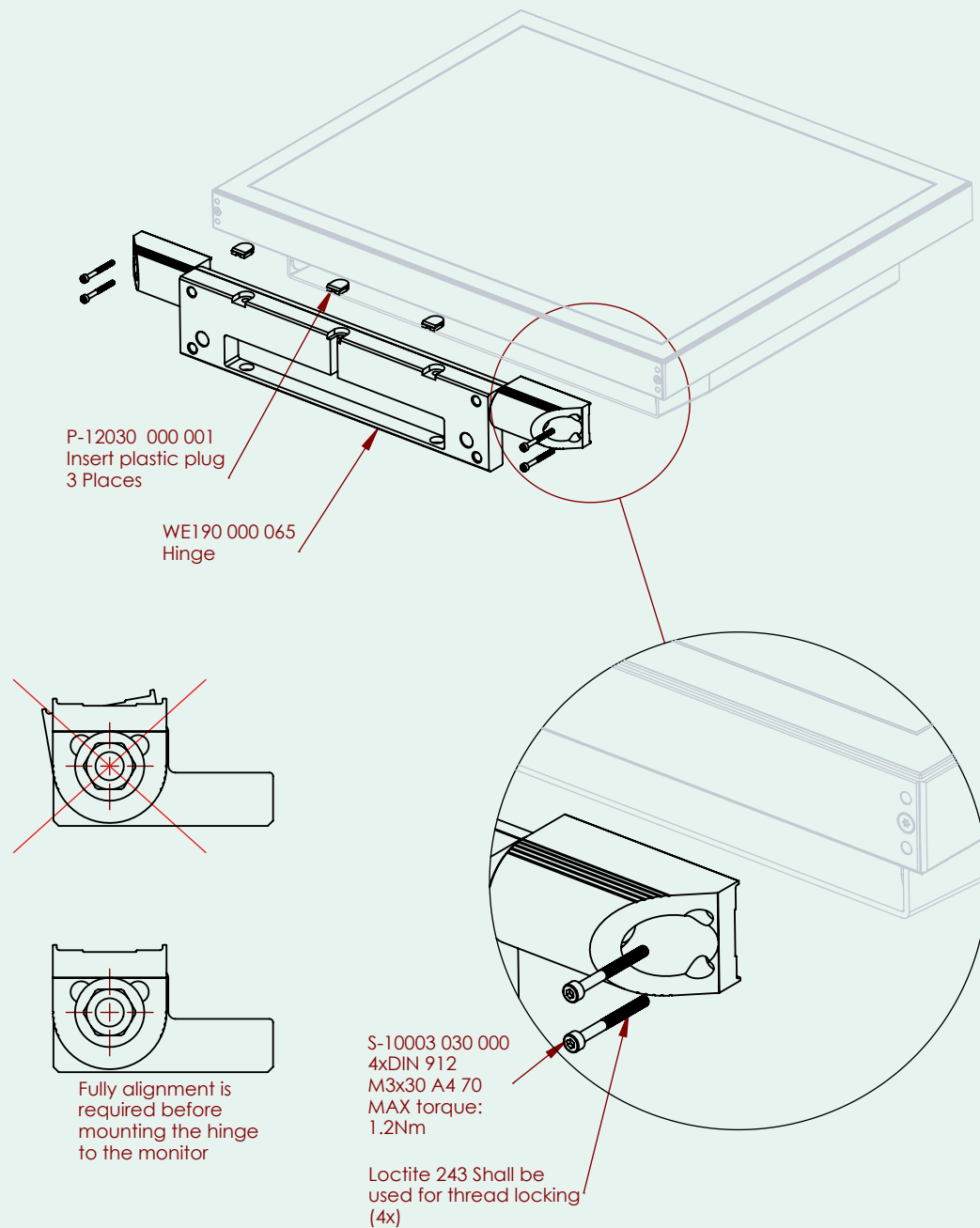
Specifications subject to changes without prior notice. The contents of this page are property of North Invent Norway AS. All rights herein are reserved to North Invent Norway AS. This document cannot be reproduced without the written permission of the company.

NORTH INVENT
Sørhauggata 128,
NO-5527 Haugesund, Norway
Phone: +47 48 84 02 00



WAVE II, 19" HINGE

TECHNICAL SPECIFICATIONS WE190 000 065



WAVE II, 19" HINGE

TECHNICAL SPECIFICATIONS WE190 000 065

