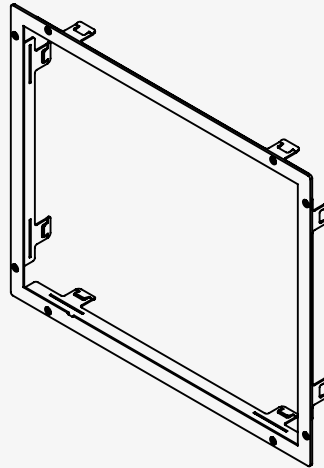


WAVE II, II 19" PANEL



SUMMARY

ID	130047	NORTH INVENT PART NO	WE190 000 226 (Use for ordering)
COMPANY NAME	North Invent Norway	NORTH INVENT TYPE NO	WE190-01.PAN.01-0226
VAT	987884002VAT	DRAWING REFERENCE	WE190 000 226 DRW
ADDRESS	Sørhauggata 128		
	5527 Haugesund		
	NORWAY		

REVISION HISTORY

APPROVED	CHECKED	DRAWN	STATUS	DESCRIPTION
2019.03.27 OKJ	2019.03.27 OKJ	2019.03.27 RNO	Issued for Review	Initial Release
2019.03.27 RNO	2019.03.27 RNO	2019.03.27 RNO	Issued for Customer Review	First Revision

2018022001 2019.03.27-B2-Material and Accessories

1/5

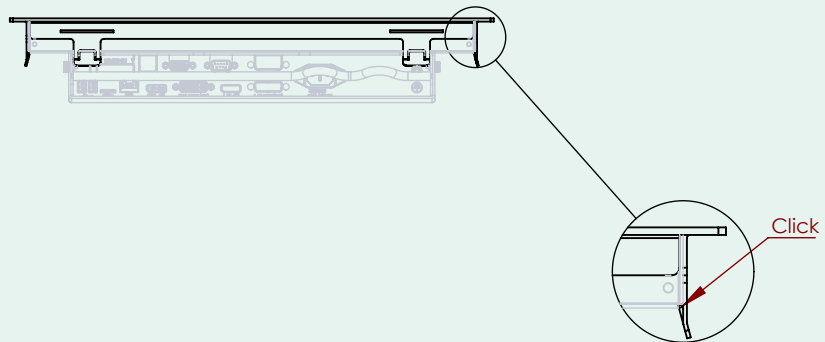
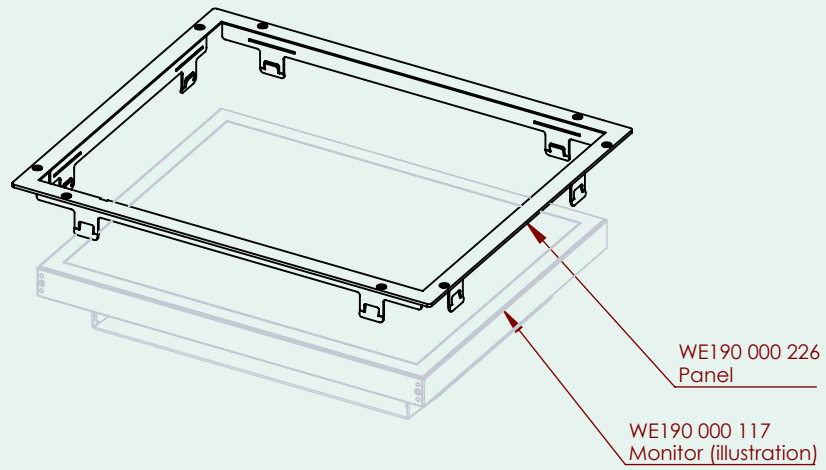
Specifications subject to changes without prior notice. The contents of this page are property of North Invent Norway AS. All rights herein are reserved to North Invent Norway AS. This document cannot be reproduced without the written permission of the company.

NORTH INVENT
Sørhauggata 128,
NO-5527 Haugesund, Norway
Phone: +47 48 84 02 00



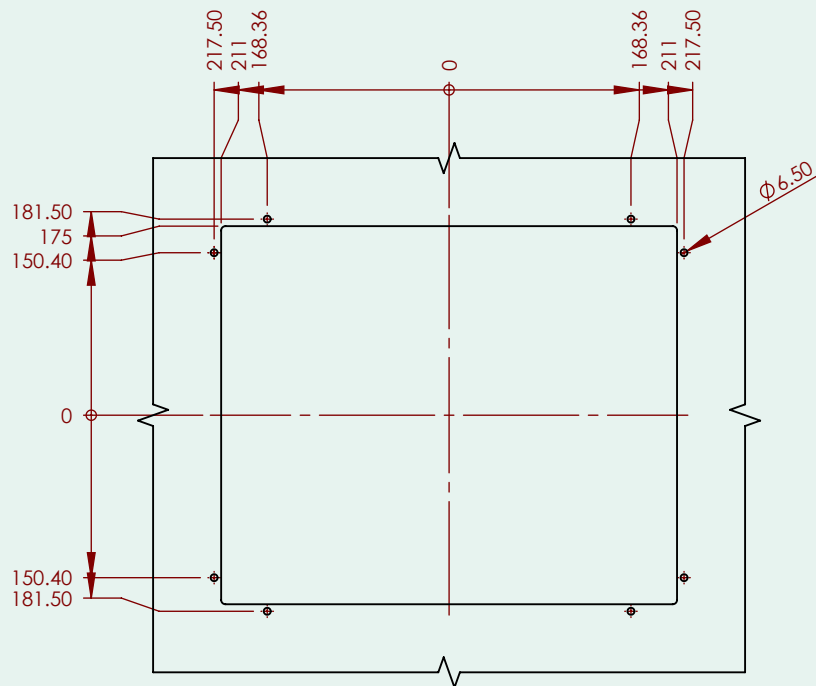
WAVE II, II 19" PANEL

TECHNICAL SPECIFICATIONS
WE190 000 226



WAVE II, II 19" PANEL

TECHNICAL SPECIFICATIONS WE190 000 226



CUTOUT

WAVE II, II 19" PANEL

TECHNICAL SPECIFICATIONS WE190 000 226

