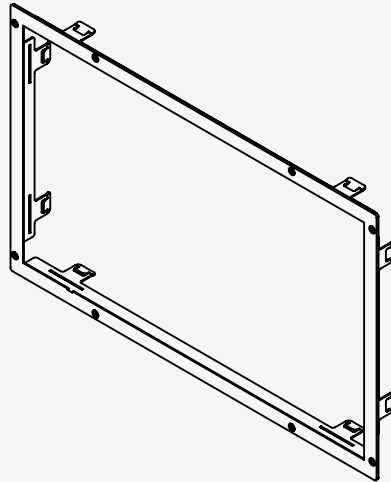


# WAVE II, II 21.5" PANEL



## SUMMARY

<b>ID</b>	130047	<b>NORTH INVENT PART NO</b>	WE215 000 224 (Use for ordering)
<b>COMPANY NAME</b>	North Invent Norway	<b>NORTH INVENT TYPE NO</b>	WE215-01.PAN.01-0224
<b>VAT</b>	987884002VAT	<b>DRAWING REFERENCE</b>	WE215 000 224 DRW
<b>ADDRESS</b>	Sørhauggata 128		
	5527 Haugesund		
	NORWAY		

## REVISION HISTORY

APPROVED	CHECKED	DRAWN	STATUS	DESCRIPTION
2019.03.27 RNO	2019.03.27 RNO	2019.03.27 RNO	Issued for Customer Review	First Revision

2018022001 2019.03.27-B2-Material and Accessories

1/5

Specifications subject to changes without prior notice. The contents of this page are property of North Invent Norway AS. All rights herein are reserved to North Invent Norway AS. This document cannot be reproduced without the written permission of the company.

**NORTH INVENT**  
Sørhauggata 128,  
NO-5527 Haugesund, Norway  
Phone: +47 48 84 02 00

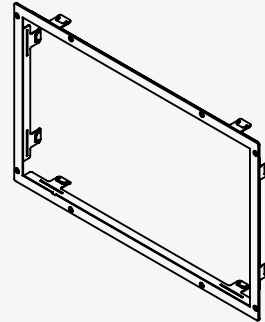


# WAVE II, II 21.5" PANEL

The Wave II Monitors are a series of well-designed, rugged LED displays with full glass front and PCAP multitouch option.

The minimized outer measurements and modular design offer unprecedented configuration and mounting flexibility. Our unique hinge design ensures that table-top or ceiling mounting is equally easy and visually appealing as flush mounting the glass front into a cut-out.

All our monitors are provided with either AC, DC or AC/DC Multipower, whereas our proprietary controllerboard offer extended functionality and connectivity options.



### TECHNICAL SPECIFICATIONS WE215 000 224

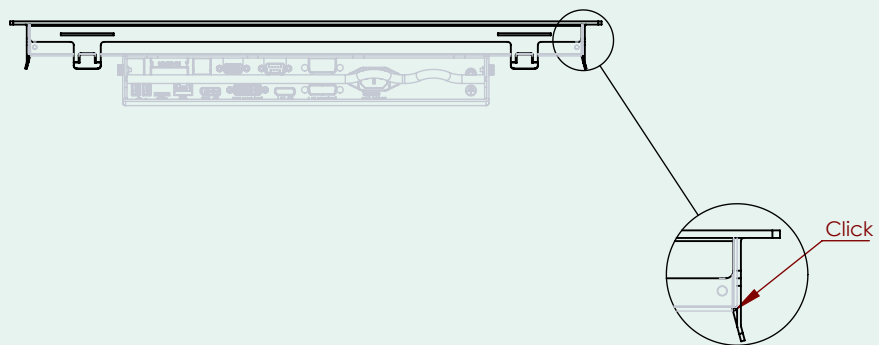
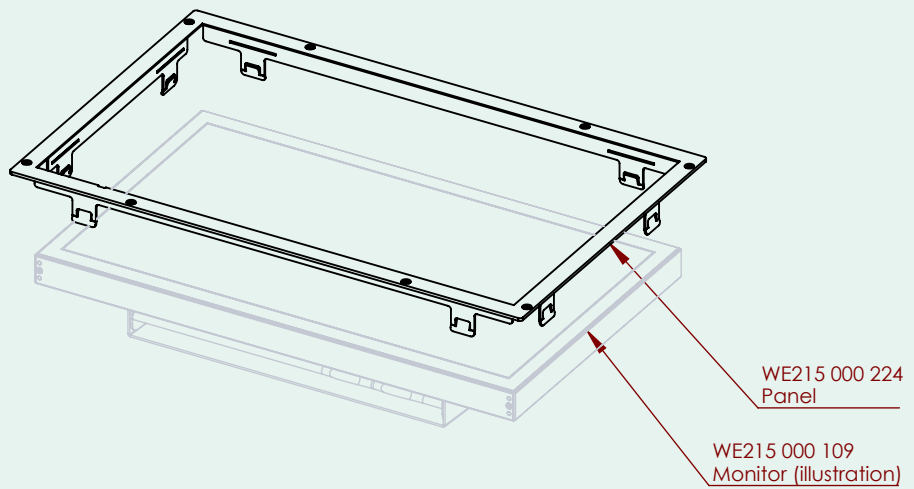
**MATCHING STANDARDS**  
IEC 60945, IACS E10, RoHS, REACH, MIL-STD-167-1A (Vibration)

OVERALL DIMENSIONS	547.6 (W) x 344.6 (H) x 44 (D) mm
NET / GROSS WEIGHT	1.1 / 2.1 kg
COLOUR	RAL 9005 Fine Structure
MATERIAL	Carbon Steel
MOUNTING CONCEPT	Click On
MATCHING ACCESSORIES	Wave II HMI Unit for Free Mount
OPTIONAL	Customized size and mounting holes to adapt to existing cutouts
OPERATING / STORAGE TEMPERATURE	-15/+70° C, -15/+70° C (+5/+158° F, +5/+158° F)



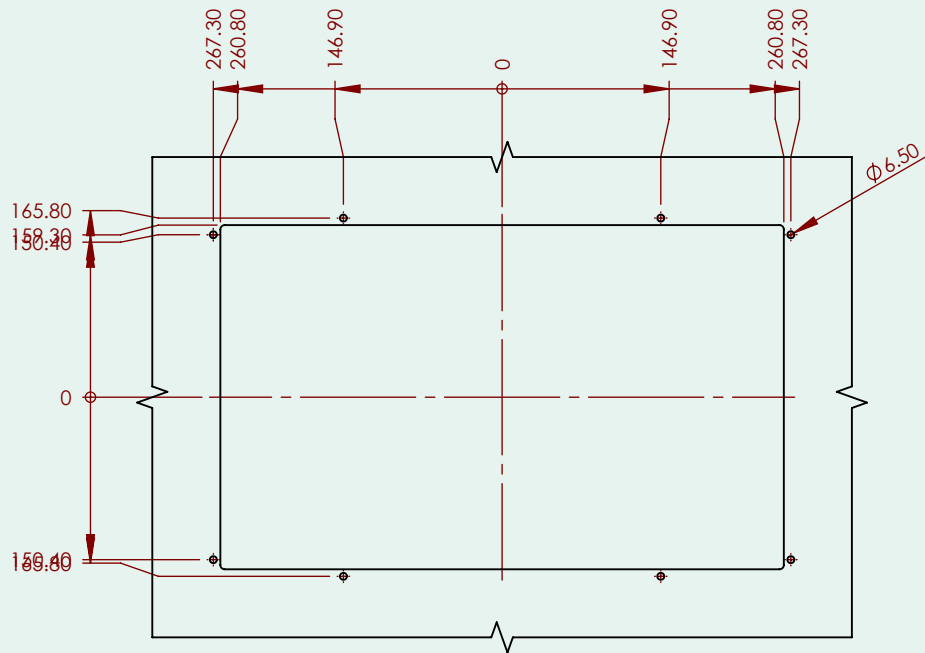
# WAVE II, II 21.5" PANEL

## TECHNICAL SPECIFICATIONS WE215 000 224



# WAVE II, II 21.5" PANEL

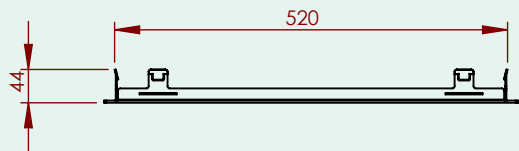
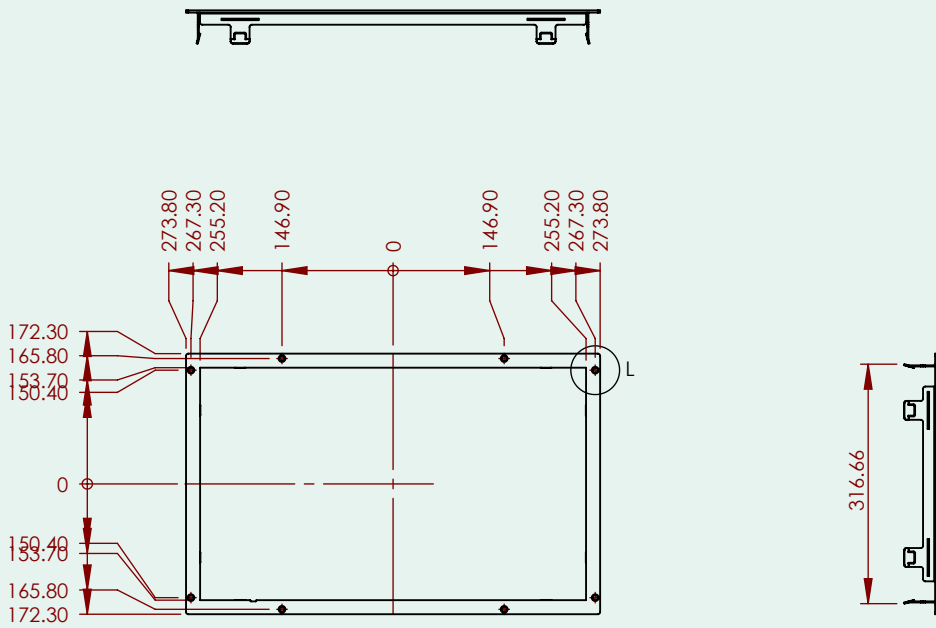
## TECHNICAL SPECIFICATIONS WE215 000 224



CUTOUT

# WAVE II, II 21.5" PANEL

## TECHNICAL SPECIFICATIONS WE215 000 224



DETAIL L  
SCALE 1 : 4