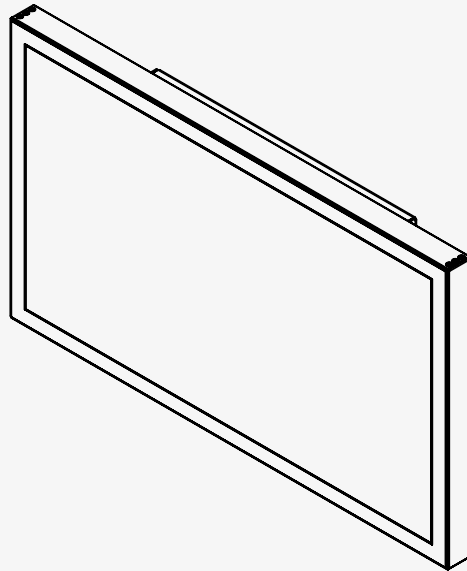


WAVE II, 24" MONITOR



SUMMARY

| | | | |
|---------------------|---------------------|-----------------------------|----------------------------------|
| ID | 30047 | NORTH INVENT PART NO | WE240 000 105 (Use for ordering) |
| COMPANY NAME | North Invent Norway | NORTH INVENT TYPE NO | WE240-01.MON.01-0105 |
| VAT | 987884002VAT | DRAWING REFERENCE | WE240 000 105 DRW |
| ADDRESS | Sørhauggata 128 | | |
| | 5527 Haugesund | | |
| | NORWAY | | |

REVISION HISTORY

| APPROVED | CHECKED | DRAWN | STATUS | DESCRIPTION |
|-------------------|-------------------|-------------------|----------------------------------|----------------|
| 2019.01.29 OKJ | 2019.01.29 OKJ | 2018.05.24 RNO | Issued for Use | General Update |
| 2018.10.19 OKJ | 2018.10.19 OKJ | 2018.05.24 RNO | Issued for Review | General Update |
| 2018.05.24 RNO | 2018.05.24 RNO | 2018.05.24 RNO | Issued for Customer Review | First Revision |
| | | | | |
| | | | | |

2018022201 2019.01.18-B1-Packing Information Added

1/4

Specifications subject to changes without prior notice. The contents of this page are property of North Invent Norway AS. All rights herein are reserved to North Invent Norway AS. This document cannot be reproduced without the written permission of the company.

NORTH INVENT
Sørhauggata 128,
NO-5527 Haugesund, Norway
Phone: +47 48 84 02 00

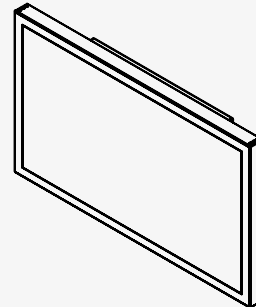


WAVE II, 24" MONITOR

The Wave II Monitors are a series of well-designed, rugged LED displays with full glass front and PCAP multitouch option.

The minimized outer measurements and modular design offer unprecedented configuration and mounting flexibility. Our unique hinge design ensures that table-top or ceiling mounting is equally easy and visually appealing as flush mounting the glass front into a cut-out.

All our monitors are provided with either AC, DC or AC/DC Multipower, whereas our proprietary controllerboard offer extended functionality and connectivity options.



TECHNICAL SPECIFICATIONS WE240 000 105

MATCHING STANDARDS

IEC 60945, IEC 61174 (ECDIS), IEC 60936 (Radar), IEC 62.288 (Navigation), IEC 62.388 (Radar), IEC 60529 (IP), IACS E10, EMC Directive-2014/30/EU, RoHS, REACH, MIL-STD-810 (Shock), MIL-STD-167-1A (Vibration), IEC 61000-6-2 (EMI), IEC 61000-6-4 (EMC), IEC 60068-2-27 (Shock)

| | |
|--|--|
| DISPLAY SIZE | 24.0" - 609.6 mm, Active area 531.36 (W) X 298.89 (H) mm |
| OVERALL DIMENSIONS | 574 (W) x 341 (H) x 78 (D) mm |
| NET / GROSS WEIGHT | 7.5 / 10.6 kg |
| RESOLUTION | Max 1920 x 1080 pixels (Full HD) |
| RESPONSE TIME | 25 ms |
| CONTRAST RATIO | 3000:1 (typ) |
| DOT PITCH | 0.27675 (H) x 0.27675 (V) mm |
| LIGHT INTENSITY | 300 cd/m2 (typ) |
| NUMBERS OF COLOURS | 16,7 Millions depending on graphics card |
| VIEWING ANGLE | ±89° |
| CONTROL KNOBS | NO (Controllable by standard mouse interface) |
| SUPPLY VOLTAGE | 90-264 VAC (IEC Inlet) |
| POWER CONSUMPTION | Approx. 53W |
| COLOUR | RAL 9005 Fine Structure |
| ENCLOSURE PROTECTION | IP 42 (From Front) |
| GLASS TYPE | 3mm Tempered, Anti Reflective Conturan® |
| INPUT/ CONTROL INPUT | DVI-I (Analogue and Digital), Display port, DDC/CI (DVI & DP), 2 x USB 2.0, Micro SD, Ethernet, HMI (15p D-Sub), RS 232 (9p D-Sub) |
| OPERATING / STORAGE TEMPERATURE | -15/+70° C, -15/+70° C (+5/+158° F, +5/+158° F) |
| BACKLIGHT LIFE | Typ 50.000 Hours |
| DIMMING RANGE | 0-100% |
| INCLUDED ACCESSORIES | NO |
| TOUCH | NO |
| ADDITIONAL FEATURE | Onboard iMX6 CPU |

2018101001 2019.01.18-B1-Packing Information Added

2/4

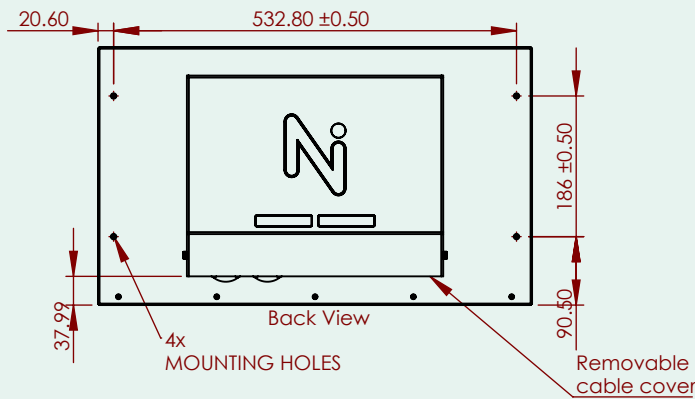
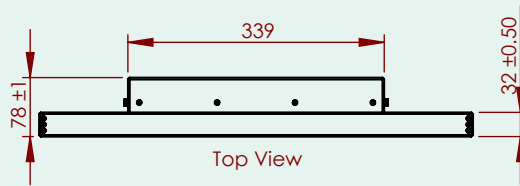
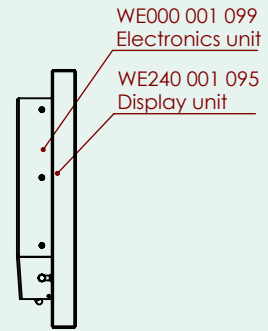
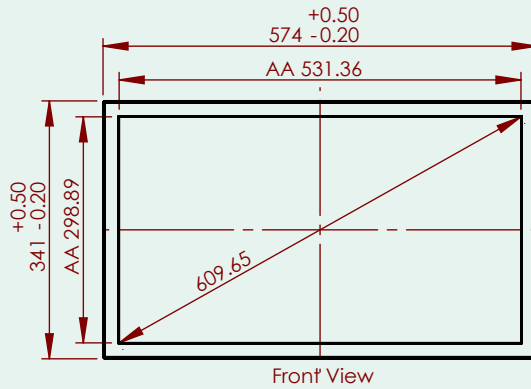
Specifications subject to changes without prior notice. The contents of this page are property of North Invent Norway AS. All rights herein are reserved to North Invent Norway AS. This document cannot be reproduced without the written permission of the company.

NORTH INVENT
Sørhauggata 128,
NO-5527 Haugesund, Norway
Phone: +47 48 84 02 00



WAVE II, 24" MONITOR

TECHNICAL SPECIFICATIONS WE240 000 105



WAVE II, 24" MONITOR

TECHNICAL SPECIFICATIONS WE240 000 105

Included in Part 1 of 1

| ITEM NO. | PART NUMBER | DESCRIPTION | QTY. |
|----------|---------------|--------------------------|------|
| 1 | WE999 000 126 | 1.8m, AC Power Cable | 1 |
| 2 | WE999 000 128 | 1.8m, Display Port Cable | 1 |

