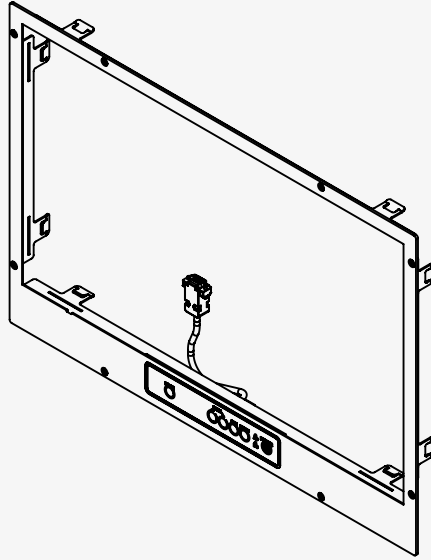


WAVE II, II 24" PANEL



SUMMARY

ID	130047	NORTH INVENT PART NO	WE240 000 216 (Use for ordering)
COMPANY NAME	North Invent Norway	NORTH INVENT TYPE NO	WE240-01.PAN.02-Z216
VAT	987884002VAT	DRAWING REFERENCE	WE240 000 216 DRW
ADDRESS	Sørhauggata 128		
	5527 Haugesund		
	NORWAY		

REVISION HISTORY

APPROVED	CHECKED	DRAWN	STATUS	DESCRIPTION
2019.02.21 OKJ	2019.02.21 OKJ	2019.02.21 RNO	Issued for Use	General Update
2019.02.21 RNO	2019.02.21 RNO	2019.02.21 RNO	Issued for Customer Review	First Revision

2018022001 2019.03.27-B2-Material and Accessories

1/5

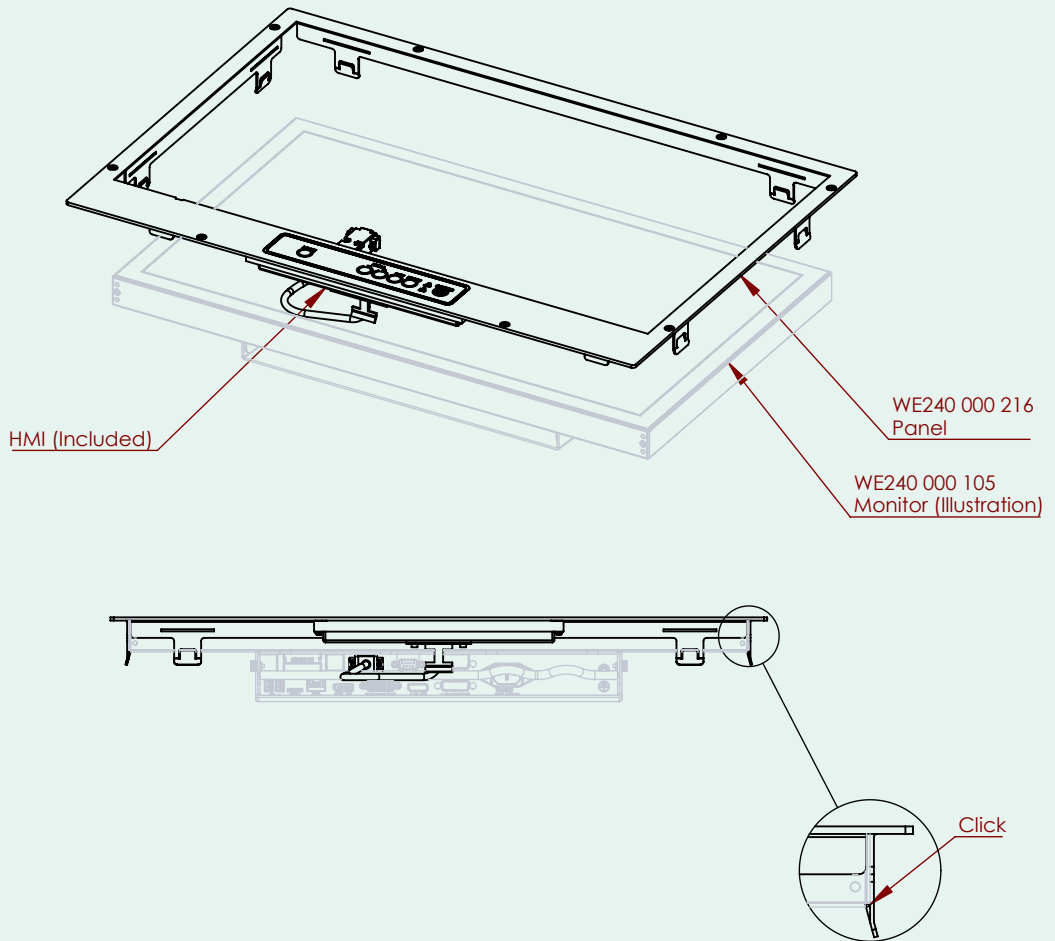
Specifications subject to changes without prior notice. The contents of this page are property of North Invent Norway AS. All rights herein are reserved to North Invent Norway AS. This document cannot be reproduced without the written permission of the company.

NORTH INVENT
Sørhauggata 128,
NO-5527 Haugesund, Norway
Phone: +47 48 84 02 00



WAVE II, II 24" PANEL

TECHNICAL SPECIFICATIONS WE240 000 216



WAVE II, II 24" PANEL

TECHNICAL SPECIFICATIONS WE240 000 216

