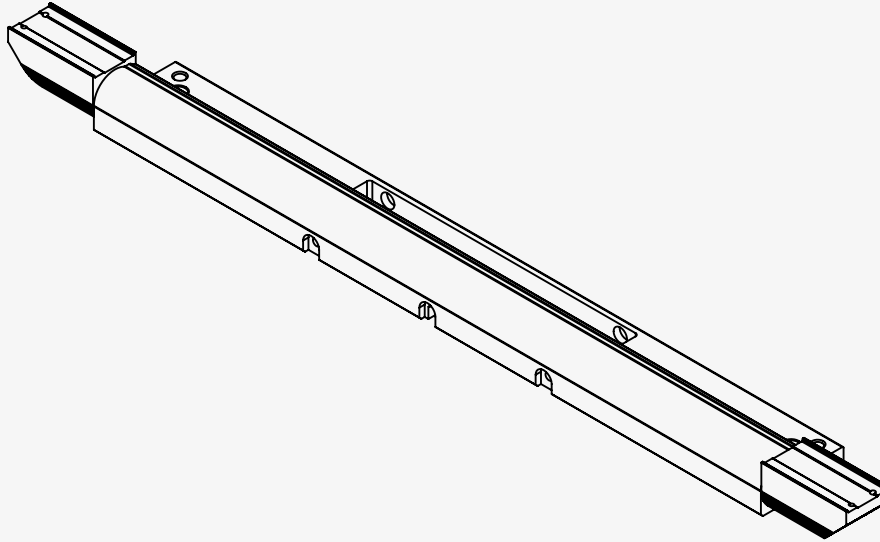


# WAVE II, 27" HINGE



## SUMMARY

<b>ID</b>	30047	<b>NORTH INVENT PART NO</b>	WE270 000 007 (Use for ordering)
<b>COMPANY NAME</b>	North Invent Norway	<b>NORTH INVENT TYPE NO</b>	WE270-01.HIN.01-0007
<b>VAT</b>	987884002VAT	<b>DRAWING REFERENCE</b>	WE270 000 007 DRW
<b>ADDRESS</b>	Sørhauggata 128		
	5527 Haugesund		
	NORWAY		

## REVISION HISTORY

APPROVED	CHECKED	DRAWN	STATUS	DESCRIPTION
2018.11.29 OKJ	2018.11.29 OKJ	2018.03.09 RNO	Issued for Review	General Update
2018.03.09 OKJ	2018.03.09 OKJ	2018.03.09 RNO	Issued for Use	NIN Part and Type Number Updated

2018022201 2019.01.18-B1-General Update

1/4

Specifications subject to changes without prior notice. The contents of this page are property of North Invent Norway AS. All rights herein are reserved to North Invent Norway AS. This document cannot be reproduced without the written permission of the company.

**NORTH INVENT**  
Sørhauggata 128,  
NO-5527 Haugesund, Norway  
Phone: +47 48 84 02 00

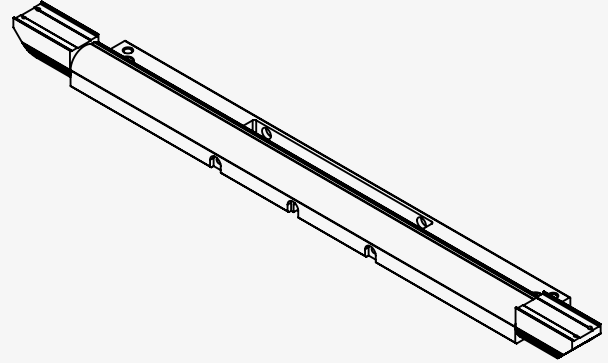


# WAVE II, 27" HINGE

The Wave II Monitors are a series of well-designed, rugged LED displays with full glass front and PCAP multitouch option.

The minimized outer measurements and modular design offer unprecedented configuration and mounting flexibility. Our unique hinge design ensures that table-top or ceiling mounting is equally easy and visually appealing as flush mounting the glass front into a cut-out.

All our monitors are provided with either AC, DC or AC/DC Multipower, whereas our proprietary controllerboard offer extended functionality and connectivity options.



## TECHNICAL SPECIFICATIONS WE270 000 007

### MATCHING STANDARDS

IEC 60945, IACS E10, RoHS, REACH

<b>OVERALL DIMENSIONS</b>	627 (W) x 35.8 (H) x 62 (D) mm
<b>NET / GROSS WEIGHT</b>	1.8 kg
<b>COLOUR</b>	RAL 9005 Fine Structure
<b>TILT ANGLE</b>	30°
<b>MATERIAL</b>	Aluminium
<b>MATCHING ACCESSORIES</b>	Wave II HMI Unit for Hinge
<b>OPERATING / STORAGE TEMPERATURE</b>	-15/+70° C, -15/+70° C (+5/+158° F, +5/+158° F)

2018101001 2019.01.18-B1-General Update

2/4

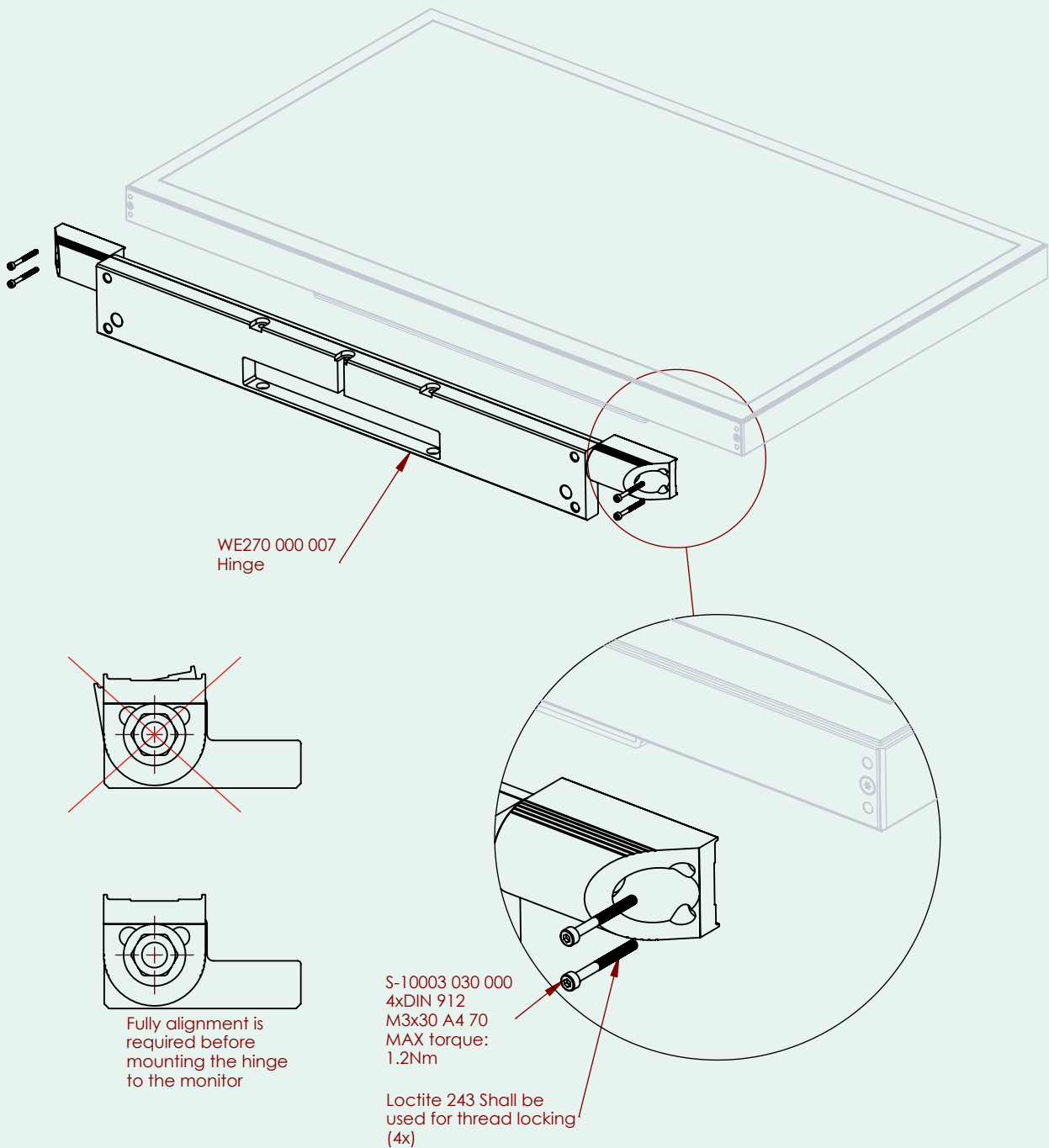
Specifications subject to changes without prior notice. The contents of this page are property of North Invent Norway AS. All rights herein are reserved to North Invent Norway AS. This document cannot be reproduced without the written permission of the company.

**NORTH INVENT**  
Sørhauggata 128,  
NO-5527 Haugesund, Norway  
Phone: +47 48 84 02 00



# WAVE II, 27" HINGE

## TECHNICAL SPECIFICATIONS WE270 000 007



# WAVE II, 27" HINGE

## TECHNICAL SPECIFICATIONS WE270 000 007

