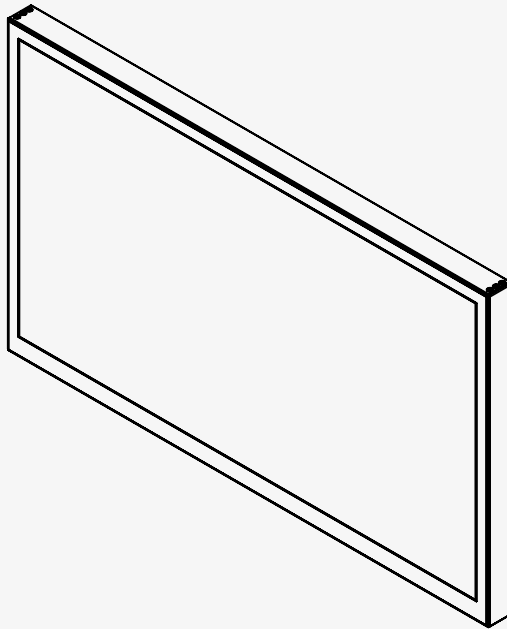


# WAVE II, 27" MONITOR



## SUMMARY

<b>ID</b>	30047	<b>NORTH INVENT PART NO</b>	WE270 000 100 (Use for ordering)
<b>COMPANY NAME</b>	North Invent Norway	<b>NORTH INVENT TYPE NO</b>	WE270-01.MON.01-0100
<b>VAT</b>	987884002VAT	<b>DRAWING REFERENCE</b>	WE270 000 100 DRW
<b>ADDRESS</b>	Sørhauggata 128		
	5527 Haugesund		
	NORWAY		

## REVISION HISTORY

APPROVED	CHECKED	DRAWN	STATUS	DESCRIPTION
2019.01.29 OKJ	2019.01.29 OKJ	2018.05.24 RNO	Issued for Use	General Update
2018.10.19 OKJ	2018.10.19 OKJ	2018.05.24 RNO	Issued for Review	General Update
2018.05.24 RNO	2018.05.24 RNO	2018.05.24 RNO	Issued for Customer Review	First Revision

2018022201 2019.01.18-B1-Packing Information Added

1/4

Specifications subject to changes without prior notice. The contents of this page are property of North Invent Norway AS. All rights herein are reserved to North Invent Norway AS. This document cannot be reproduced without the written permission of the company.

**NORTH INVENT**  
Sørhauggata 128,  
NO-5527 Haugesund, Norway  
Phone: +47 48 84 02 00

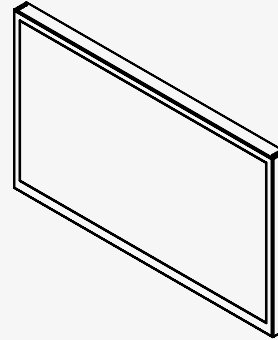


# WAVE II, 27" MONITOR

The Wave II Monitors are a series of well-designed, rugged LED displays with full glass front and PCAP multitouch option.

The minimized outer measurements and modular design offer unprecedented configuration and mounting flexibility. Our unique hinge design ensures that table-top or ceiling mounting is equally easy and visually appealing as flush mounting the glass front into a cut-out.

All our monitors are provided with either AC, DC or AC/DC Multipower, whereas our proprietary controllerboard offer extended functionality and connectivity options.



## TECHNICAL SPECIFICATIONS WE270 000 100

### MATCHING STANDARDS

IEC 60945, IEC 61174 (ECDIS), IEC 60936 (Radar), IEC 62.288 (Navigation), IEC 62.388 (Radar), IEC 60529 (IP), IACS E10, EMC Directive-2014/30/EU, RoHS, REACH

<b>DISPLAY SIZE</b>	27.0" - 685.8 mm, Active area 597.6 (W) X 336.15 (H) mm
<b>OVERALL DIMENSIONS</b>	631 (W) x 377.6 (H) x 78 (D) mm
<b>NET / GROSS WEIGHT</b>	8.5 / 11.6 kg
<b>RESOLUTION</b>	Max 1920 x 1080 pixels (Full HD)
<b>RESPONSE TIME</b>	12 ms
<b>CONTRAST RATIO</b>	3000:1 (typ)
<b>DOT PITCH</b>	0.31125 (H) x 0.31125 (V) mm
<b>LIGHT INTENSITY</b>	350 cd/m2 (typ)
<b>NUMBERS OF COLOURS</b>	16,7 Millions depending on graphics card
<b>VIEWING ANGLE</b>	±89°
<b>CONTROL KNOBS</b>	NO (Controllable by standard mouse interface)
<b>SUPPLY VOLTAGE</b>	90-264 VAC (IEC Inlet)
<b>POWER CONSUMPTION</b>	Approx. 30W
<b>COLOUR</b>	RAL 9005 Fine Structure
<b>ENCLOSURE PROTECTION</b>	IP 65 (From Front)
<b>GLASS TYPE</b>	3mm Tempered, Anti Reflective Conturan®
<b>INPUT/ CONTROL INPUT</b>	DVI-I (Analogue and Digital), Display port, DDC/CI (DVI & DP), 2 x USB 2.0, Micro SD, Ethernet, HMI (15p D-Sub), RS 232 (9p D-Sub)
<b>OPERATING / STORAGE TEMPERATURE</b>	-15/+55° C, -15/+70° C (+5/+131° F, +5/+158° F)
<b>BACKLIGHT LIFE</b>	Typ 50.000 Hours
<b>DIMMING RANGE</b>	0-100%
<b>INCLUDED ACCESSORIES</b>	NO
<b>TOUCH</b>	NO
<b>ADDITIONAL FEATURE</b>	Onboard iMX6 CPU

2018101001 2019.01.18-B1-Packing Information Added

2/4

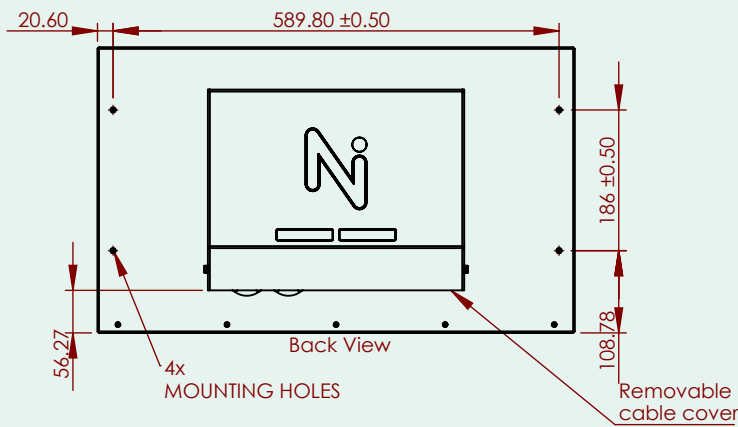
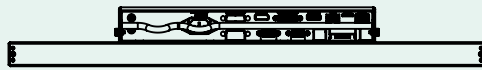
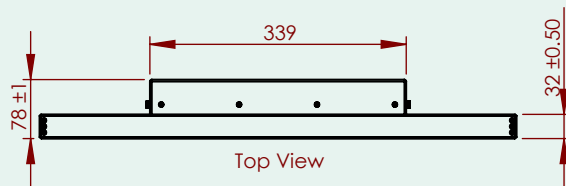
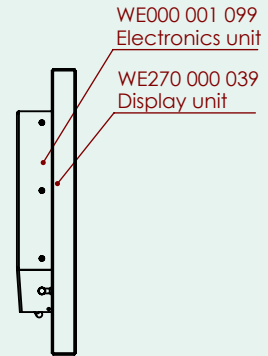
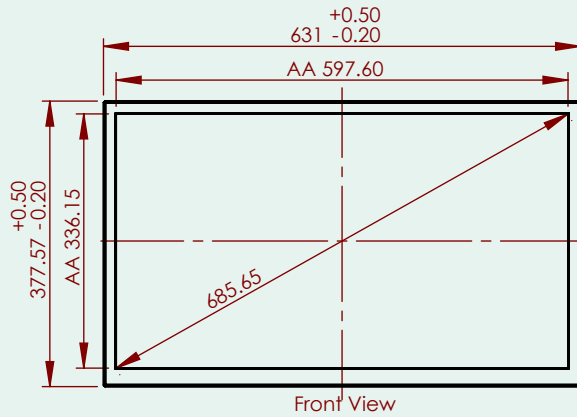
Specifications subject to changes without prior notice. The contents of this page are property of North Invent Norway AS. All rights herein are reserved to North Invent Norway AS. This document cannot be reproduced without the written permission of the company.

**NORTH INVENT**  
Sørhauggata 128,  
NO-5527 Haugesund, Norway  
Phone: +47 48 84 02 00



# WAVE II, 27" MONITOR

## TECHNICAL SPECIFICATIONS WE270 000 100

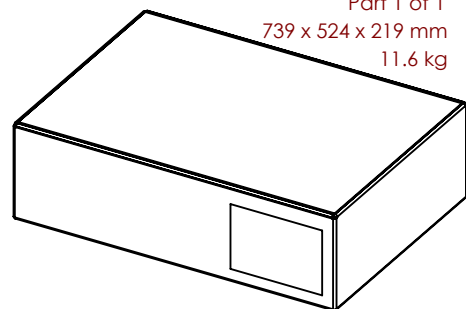
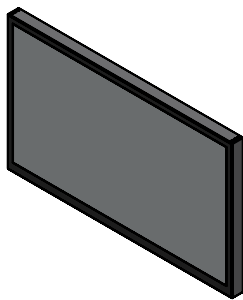


# WAVE II, 27" MONITOR

## TECHNICAL SPECIFICATIONS WE270 000 100

Included in Part 1 of 1

ITEM NO.	PART NUMBER	DESCRIPTION	QTY.
1	WE999 000 126	1.8m, AC Power Cable	1
2	WE999 000 128	1.8m, Display Port Cable	1



Part 1 of 1  
739 x 524 x 219 mm  
11.6 kg