

# WAVE XL, 46" MONITOR



## SUMMARY

<b>ID</b>	30047	<b>NORTH INVENT PART NO</b>	WA460 000 238
<b>COMPANY NAME</b>	North Invent Norway	<b>NORTH INVENT TYPE NO</b>	WA460-01.MON.01-2002
<b>VAT</b>	987884002VAT	<b>DRAWING REFERENCE</b>	WA460 000 238 DRW
<b>ADDRESS</b>	Sørhauggata 128		
	5527 Haugesund		
	NORWAY		

## REVISION HISTORY

APPROVED	CHECKED	DRAWN	STATUS	DESCRIPTION
2019.08.27 RNO	2019.08.27 RNO	2019.08.27 RNO	Issued for Customer Review	First Revision
2020.02.21 ØKJ	2020.02.21 ØKJ	2020.02.21 ØKJ	Issued for Customer Review	Second Revision

2018022201 2019.01.18-B1-Packing Information Added

1/5

Specifications subject to changes without prior notice. The contents of this page are property of North Invent Norway AS. All rights herein are reserved to North Invent Norway AS. This document cannot be reproduced without the written permission of the company.

**NORTH INVENT**  
Sørhauggata 128,  
NO-5527 Haugesund, Norway  
Phone: +47 48 84 02 00

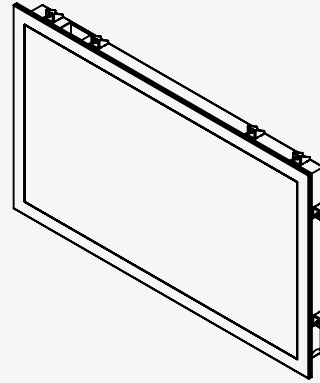


# WAVE XL, 46" MONITOR

The Wave II Monitors are a series of well-designed, rugged LED displays with full glass front and PCAP multitouch option.

The minimized outer measurements and modular design offer unprecedented configuration and mounting flexibility. The Wave XL can be flush mounted or mounted on the table top using the optional cabinet. It can also be wall- or ceiling mounted and comes with a selection of tilt units and pedestals.

All our monitors are provided with either AC, DC or AC/DC Multipower, whereas our proprietary controllerboard offer extended functionality and connectivity options.



## TECHNICAL SPECIFICATIONS WA460-01.MON.01-2002

<b>MATCHING STANDARDS</b>	IEC 60945, IACS E10. Designed to comply with MIL-STD-810F & MIL-STD-901D. Reports available on request.
<b>DISPLAY SIZE</b>	46.0" - 1168.4 mm, Active area 1018.08 (W) X 572.67 (H) mm
<b>OVERALL DIMENSIONS</b>	1062.1 (W) x 616.7 (H) x 78 (D) mm
<b>NET / GROSS WEIGHT</b>	29 Kg
<b>RESOLUTION</b>	Max 1920 x 1080 pixels (Full HD)
<b>RESPONSE TIME</b>	6.5 ms
<b>CONTRAST RATIO</b>	4000:1 (typ)
<b>DOT PITCH</b>	0.53025 (H) x 0.53025 (V) mm
<b>LIGHT INTENSITY</b>	700 cd/m2 (typ)
<b>NUMBERS OF COLOURS</b>	16.7 Millions depending on graphics card
<b>VIEWING ANGLE</b>	±89°
<b>CONTROL KNOBS</b>	NO (Controllable by standard mouse interface). Optional HMI unit available.
<b>SUPPLY VOLTAGE</b>	90-264 VAC (IEC Inlet)
<b>POWER CONSUMPTION</b>	Approx. 90W
<b>COLOUR</b>	RAL 9005 Fine Structure
<b>ENCLOSURE PROTECTION</b>	IP 65 (From Front)
<b>GLASS TYPE</b>	5mm Tempered, Anti Reflective Conturan®
<b>INPUT/ CONTROL INPUT</b>	2 x DVI-I (Analogue AND Digital), DVI OUT, 2 x Display port, DDC/CI (DVI & DP), RS 422/485, 2 x USB 2.0, Micro SD, 2 x Ethernet, HMI (15p D-Sub Female), RS 232 (9p D-Sub Female)
<b>OPERATING / STORAGE TEMPERATURE</b>	-15 to +55° C (IEC 60945) / -20 to +70° C
<b>BACKLIGHT LIFE</b>	Typ 50.000 Hours
<b>DIMMING RANGE</b>	0-100%
<b>INCLUDED ACCESSORIES</b>	NO. Optional cabinet, pedestal or tilt units for roof or wall mounting available.
<b>TOUCH</b>	NO.
<b>ADDITIONAL FEATURE</b>	Onboard iMX6 CPU

2018101001 2019.01.18-B1-Packing Information Added

2/5

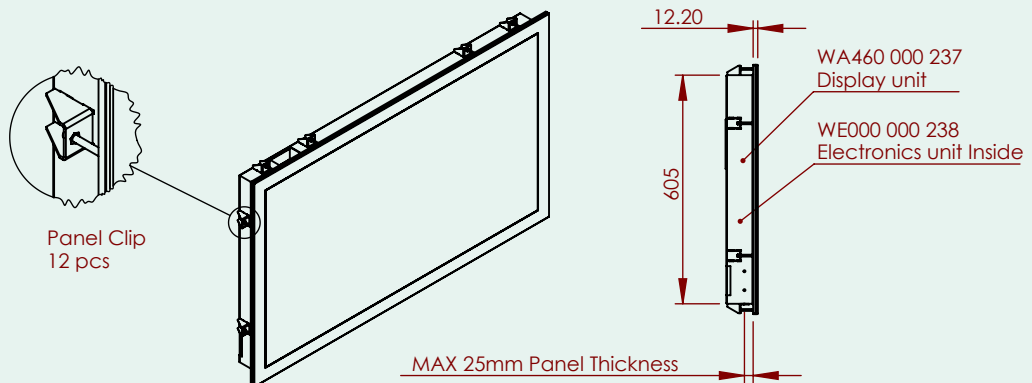
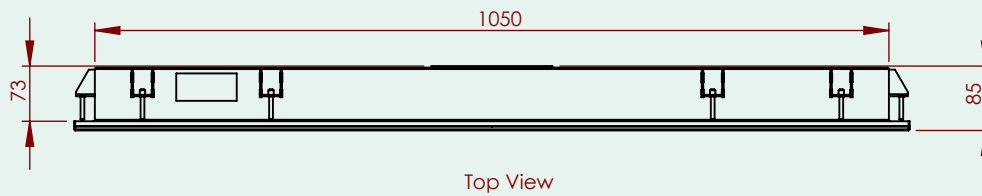
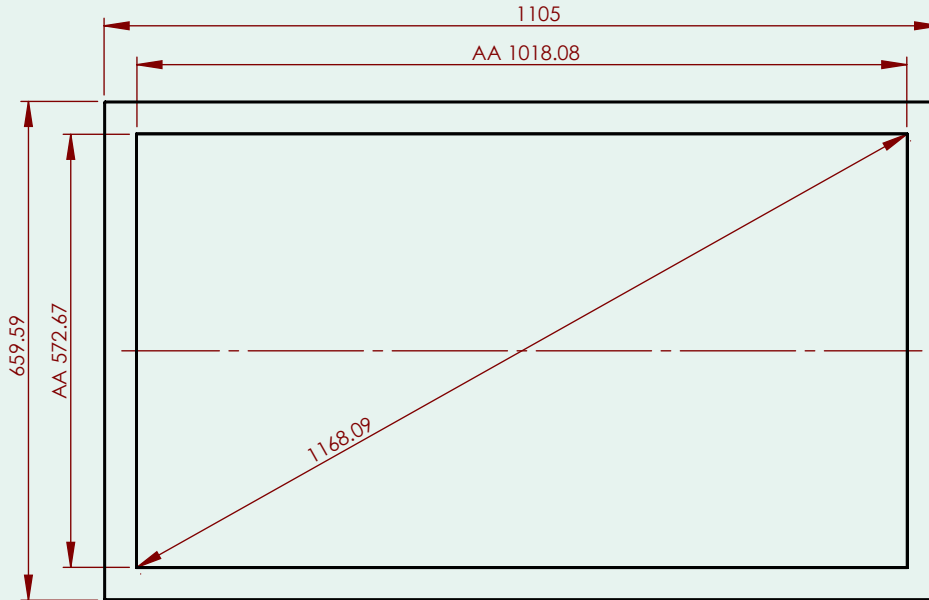
Specifications subject to changes without prior notice. The contents of this page are property of North Invent Norway AS. All rights herein are reserved to North Invent Norway AS. This document cannot be reproduced without the written permission of the company.

**NORTH INVENT**  
Sørhauggata 128,  
NO-5527 Haugesund, Norway  
Phone: +47 48 84 02 00



# WAVE XL, 46" MONITOR

## TECHNICAL SPECIFICATIONS WA460-01.MON.01-2002

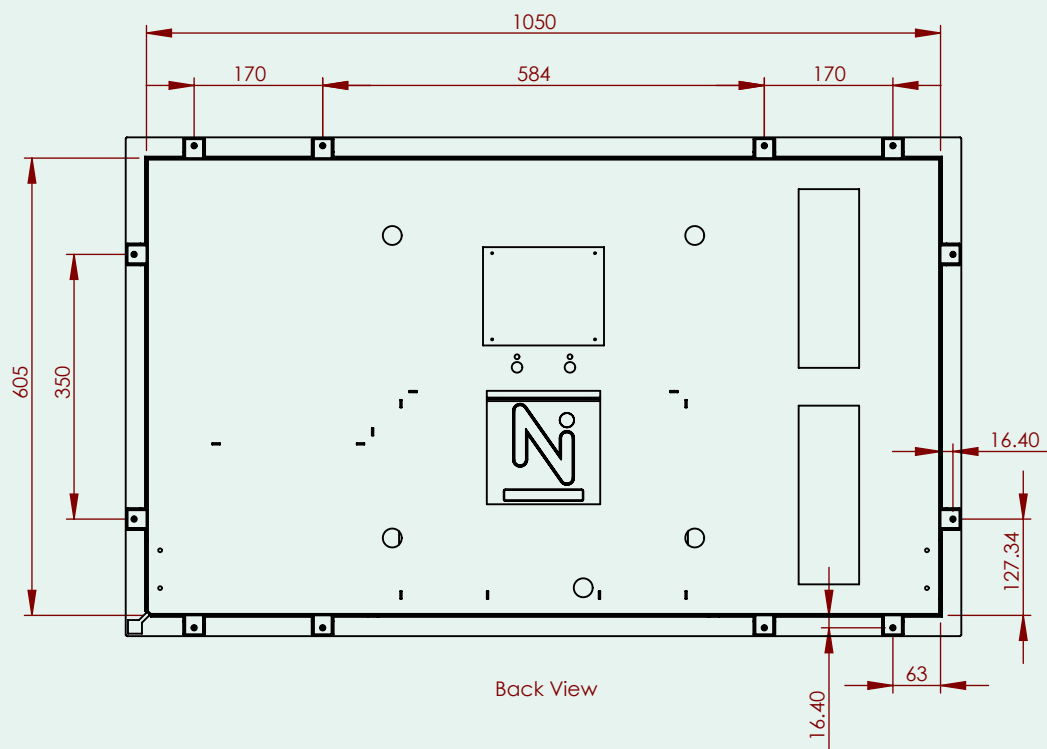


# WAVE XL, 46" MONITOR

## TECHNICAL SPECIFICATIONS WA460-01.MON.01-2002



Bottom View



# WAVE XL, 46" MONITOR

TECHNICAL SPECIFICATIONS  
WA460-01.MON.01-2002

