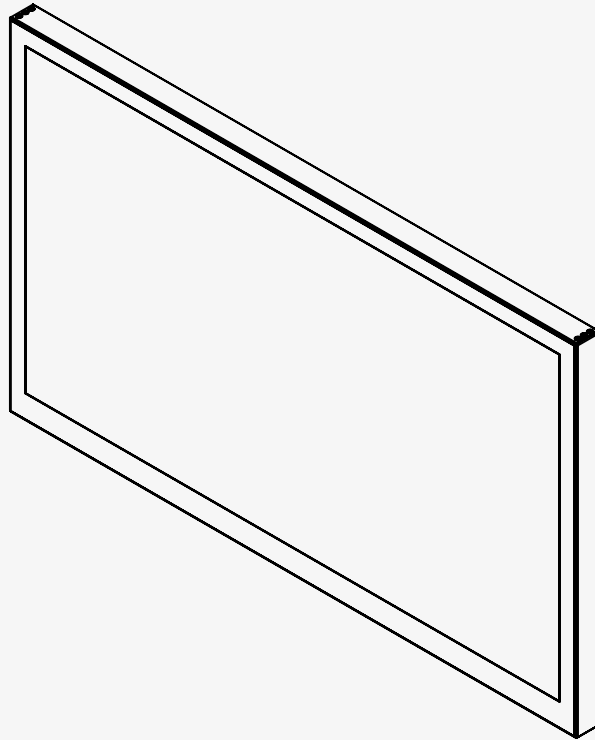


# WAVE PERFORMANCE



## SUMMARY

<b>ID</b>	30047	<b>CPU OPTION:</b>	<b>NORTH INVENT PART NO:</b>
<b>COMPANY NAME</b>	North Invent Norway	Celeron 4305UE @ 2.2 GHz	WE320 000 352
<b>VAT</b>	987884002VAT	i3-8145UE @ 2.2 GHz / 3.9 GHz	WE320 000 353
<b>ADDRESS</b>	Sørhauggata 128	i5-8365UE @ 1.6 GHz / 4.1 GHz	WE320 000 354
	5527 Haugesund	i7-8665UE @ 1.7 GHz / 4.4 GHz	WE320 000 355
	NORWAY	NB! To order optional PSU versions and / or I/Os listed on the next page, please ask your North Invent representative for the correct P/N.	

## REVISION HISTORY

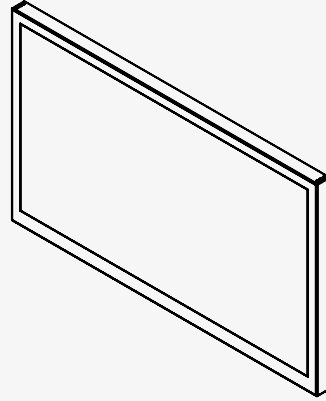
APPROVED	CHECKED	DRAWN	STATUS	DESCRIPTION
2021.10.01 OKJ	2021.10.01 OKJ	2021.10.01 OKJ	Issued for Customer Review	Initial Release

# WAVE PERFORMANCE

The Wave II Monitors are a series of well-designed, rugged LED displays with full glass front and PCAP multitouch option.

The minimized outer measurements and modular design offer unprecedented configuration and mounting flexibility. Our unique hinge design ensures that table-top or ceiling mounting is equally easy and visually appealing as flush mounting the glass front into a cut-out.

All our monitors are provided with either AC, DC or AC/DC Multipower, whereas our proprietary controllerboard offer extended functionality and connectivity options.



## TECHNICAL SPECIFICATIONS Wave PERFORMANCE 32" TOUCH

### MATCHING STANDARDS

IEC 60945, IEC 61174 (ECDIS), IEC 60936 (Radar), IEC 62.288 (Navigation), IEC 62.388 (Radar), IEC 60529 (IP), IACS E10, EMC Directive-2014/30/EU, RoHS, REACH. Compliant to a selection of MIL standards.

<b>DISPLAY SIZE</b>	32.0" - 812.8 mm, Active area 698.40 (W) X 392.85 (H) mm
<b>OVERALL DIMENSIONS</b>	743.4 (W) x 447.9 (H) x 78 (D) mm
<b>NET / GROSS WEIGHT</b>	14.4 / 17.5 kg
<b>RESOLUTION</b>	Max 1920 x 1080 pixels (Full HD)
<b>RESPONSE TIME</b>	10 ms
<b>CONTRAST RATIO</b>	3000:1 (typ)
<b>CPU</b>	Intel® Celeron 4305UE, Core i3-8145UE, i5-8365UE, i7-8665UE
<b>LIGHT INTENSITY</b>	500 cd/m <sup>2</sup> (typ)
<b>GRAPHICS</b>	Intel® UHD Graphics 620
<b>VIEWING ANGLE</b>	±89°
<b>SSD</b>	3 x M2 slot + SATA, configurable size 120 GB-2TB. Std configuration: 120 GB
<b>SUPPLY VOLTAGE</b>	90-264 VAC (IEC Inlet)
<b>POWER CONSUMPTION</b>	Approx. 70W
<b>RAM</b>	DDR4 2400, configurable size. Standard configuration: 8 GB
<b>ENCLOSURE PROTECTION</b>	IP 67 from front given correct mounting and sealing.
<b>GLASS TYPE</b>	4mm Tempered, Anti Reflective Conturan®
<b>INPUT/ CONTROL INPUT</b>	2 x 10/100/1000 Ethernet (4 x 10/100/1000 optional), 2 x Display Port , 4 x USB, 3.1 2 x RS232/RS485/422 + 2 x RS232 (D-SUB), Line in + Line out (mini Jack), HMI (15p D-Sub)
<b>OPERATING / STORAGE TEMPERATURE</b>	-15/+55° C, -15/+70° C (+5/+131° F, +5/+158° F)
<b>BACKLIGHT LIFE</b>	Typ 50,000 Hours
<b>DIMMING RANGE</b>	5-100%
<b>OS SUPPORTED</b>	Linux and Windows
<b>TOUCH</b>	10 Point PCAP Multitouch
<b>COMPASS SAFE DISTANCES</b>	Standard Compass 190 cm, Steering Compass 120 cm

2018101001

2/5

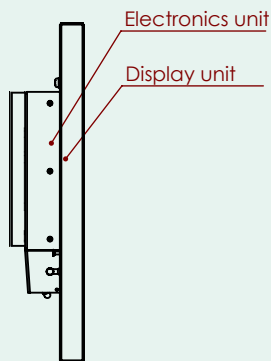
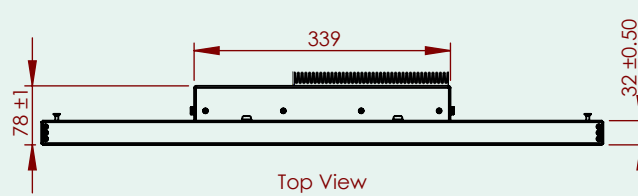
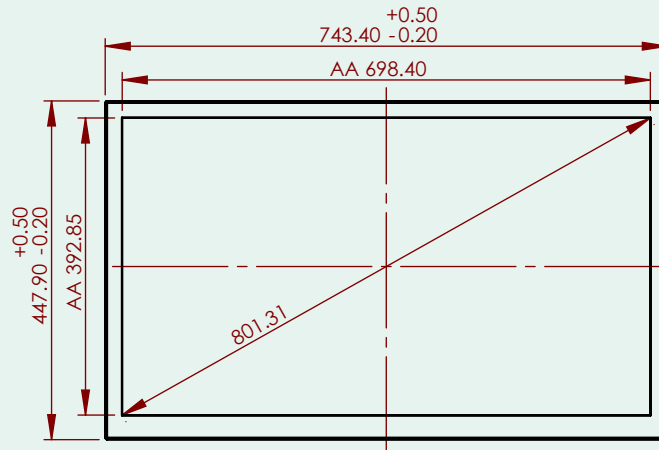
Specifications subject to changes without prior notice. The contents of this page are property of North Invent Norway AS. All rights herein are reserved to North Invent Norway AS. This document cannot be reproduced without the written permission of the company.

**NORTH INVENT**  
Sørhauggata 128,  
NO-5527 Haugesund, Norway  
Phone: +47 48 84 02 00



# WAVE PERFORMANCE

## TECHNICAL SPECIFICATIONS Wave PERFORMANCE 32" TOUCH



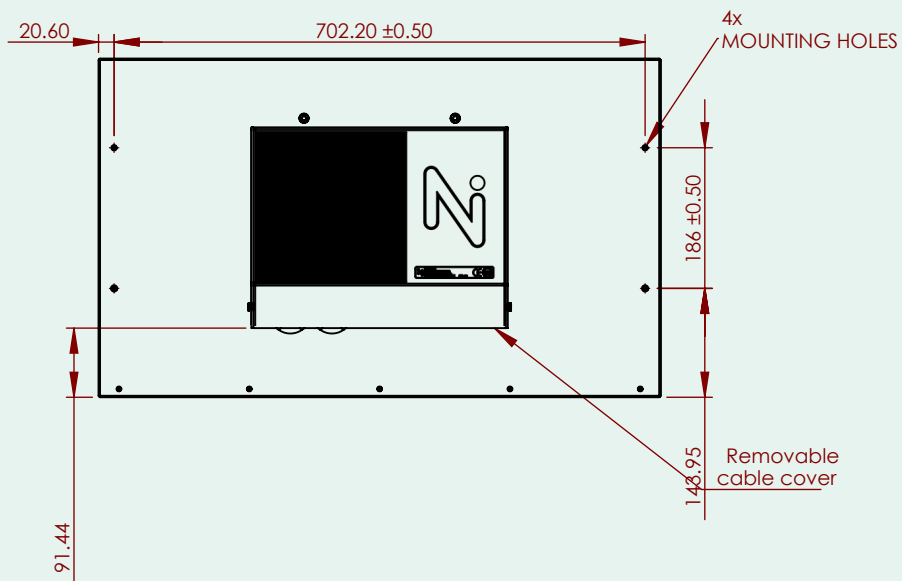
# WAVE PERFORMANCE

## TECHNICAL SPECIFICATIONS Wave PERFORMANCE 32" TOUCH

Bottom View



Back View

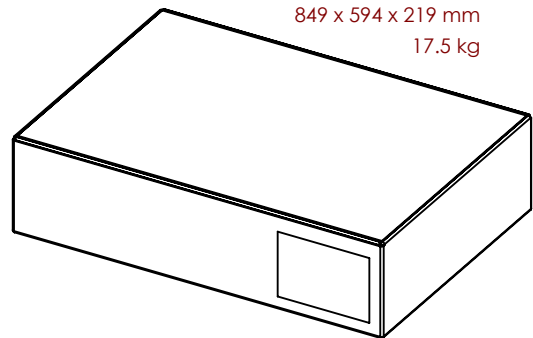
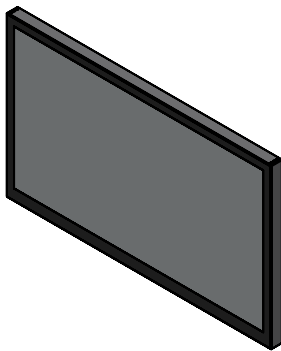


# WAVE PERFORMANCE

## TECHNICAL SPECIFICATIONS Wave PERFORMANCE 32" TOUCH

Included in Part 1 of 1

ITEM NO.	PART NUMBER	DESCRIPTION	QTY.
1	WE999 000 126	1.8m, AC Power Cable	1



Part 1 of 1  
849 x 594 x 219 mm  
17.5 kg