

2

3

4

5

6

7

8

A

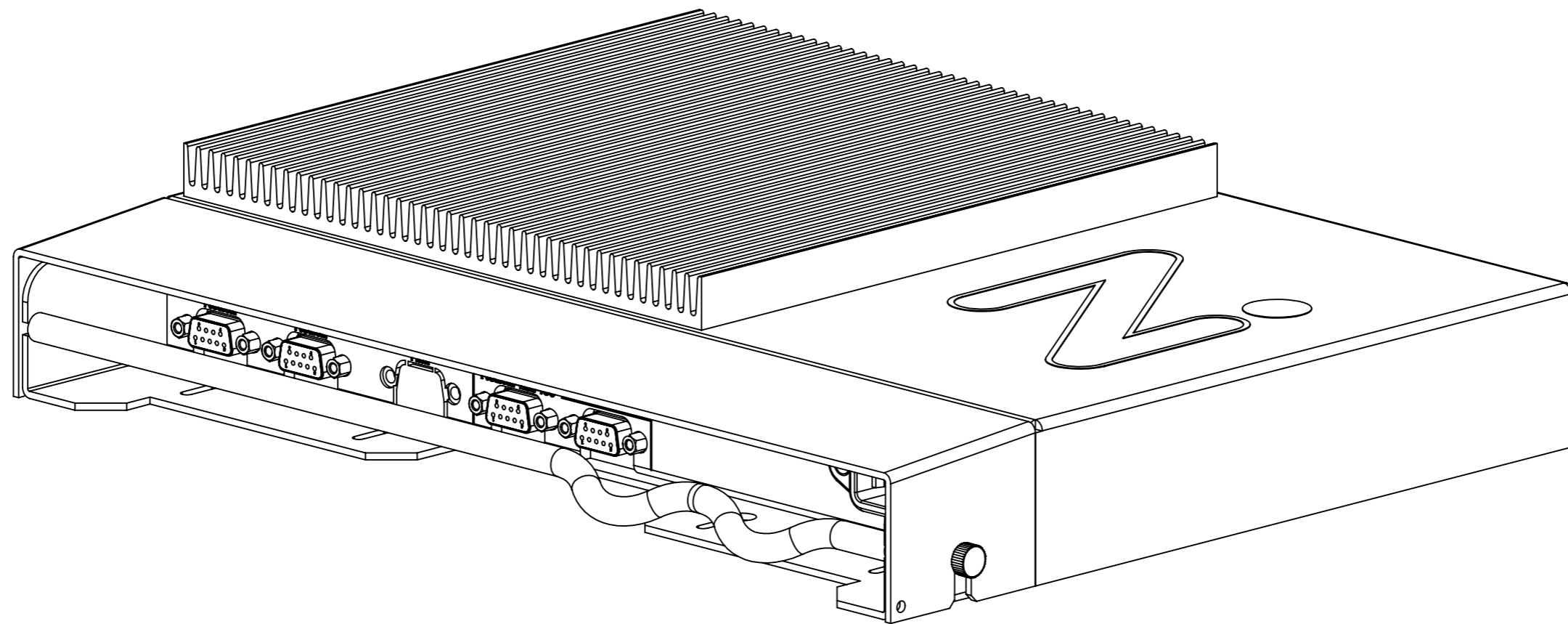
B

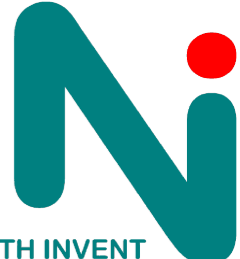
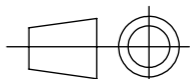
C

D

E

F



This document is the property of North Invent Norway AS. This document and any authorized reproduction thereof, must not be used in any way against the interest of North Invent AS. Any authorized reproduction, in whole or in part, must include this legend.					 NORTH INVENT www.northinvent.com	
Document Number		Date	Drawn by	Sheet		Scale (A3 Format)
PPC_002		2020.01.28	RNO	1 of 5		1:1.5
		Date	Checked			
		2020.01.28	RNO			
Revision Status				Revision	Projection	
Re-Issued for Production				C2		
201805211	Description	Date	Approved	DW ID		
		2020.01.28	RNO			

2

3

4

5

6

7

8

A

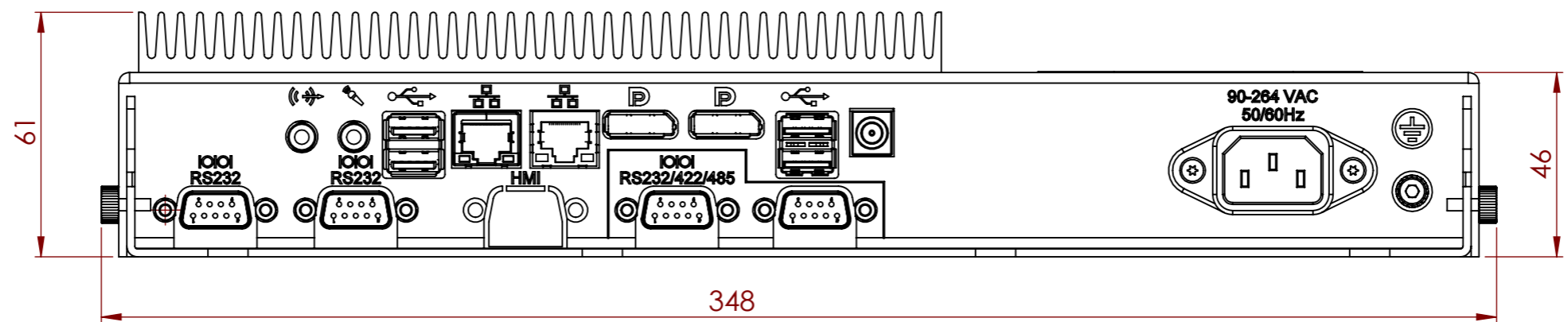
B

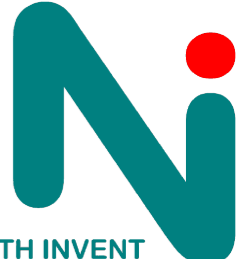
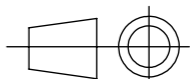
C

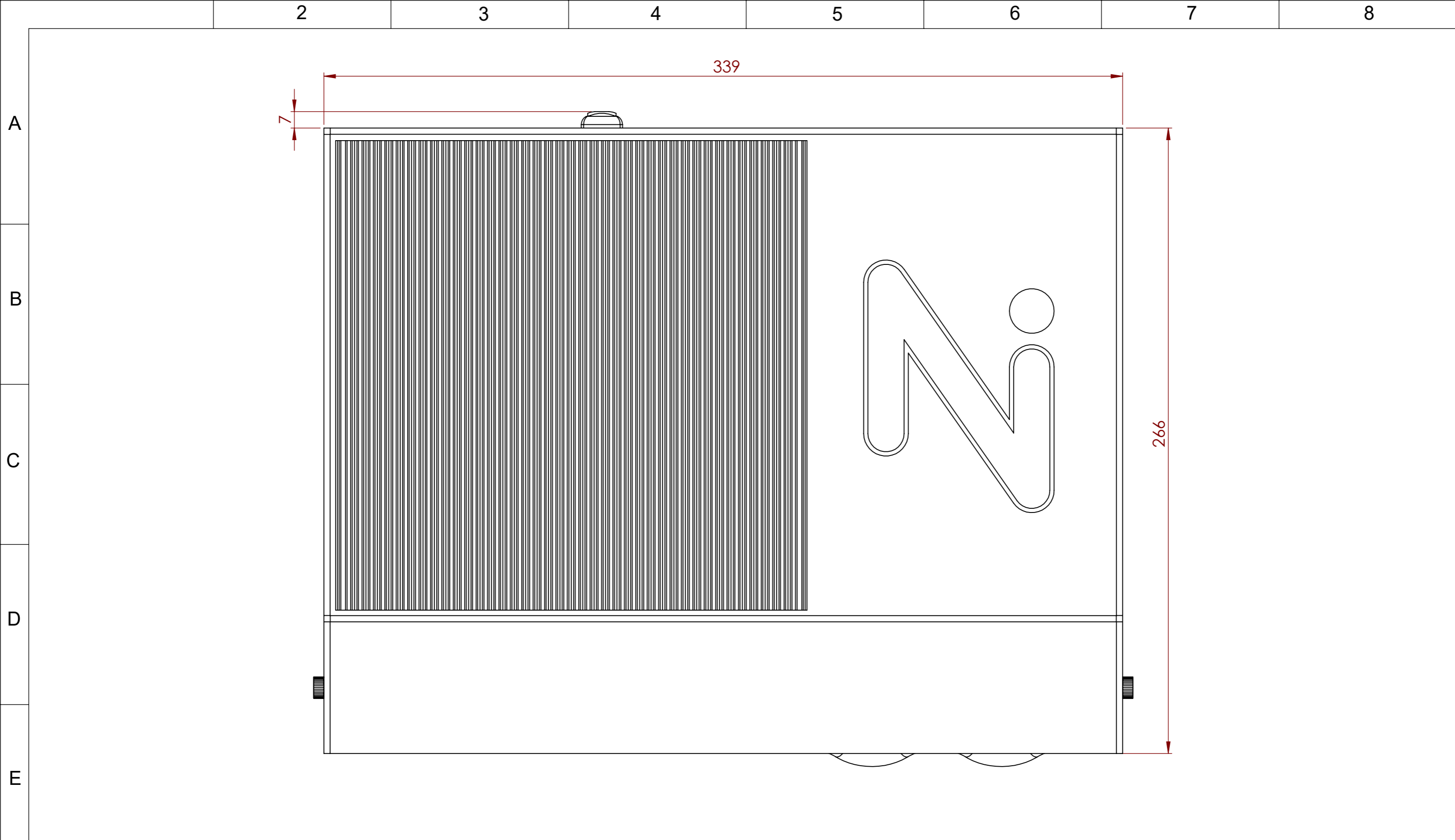
D


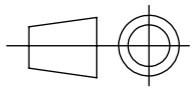
E

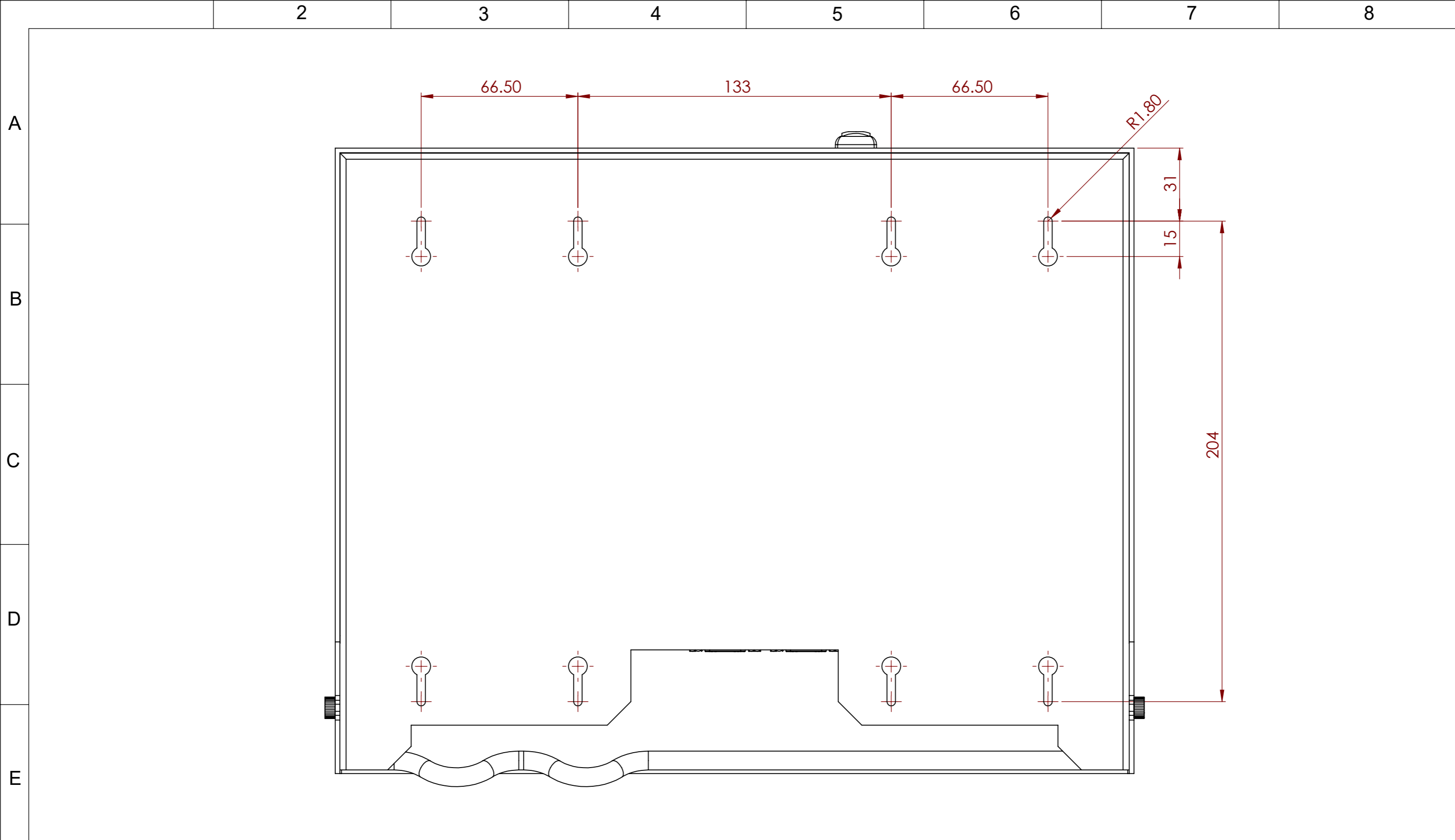
F

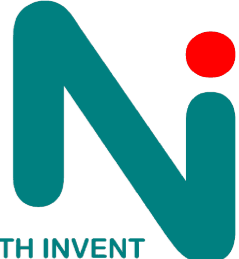
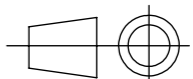
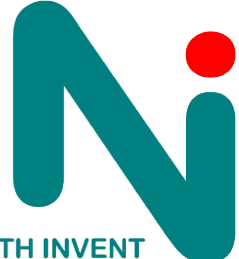


This document is the property of North Invent Norway AS. This document and any authorized reproduction thereof, must not be used in any way against the interest of North Invent AS. Any authorized reproduction, in whole or in part, must include this legend.					 NORTH INVENT www.northinvent.com
Document Number	Date	Drawn by	Sheet	Scale (A3 Format)	
PPC_002	2020.01.28	RNO	2 of 5	1:1.5	
Revision Status	Date	Checked	Revision	Projection	
Re-Issued for Production	2020.01.28	RNO	C2		
201805211	Description	Date	Approved	DW ID	
		2020.01.28	RNO		



This document is the property of North Invent Norway AS. This document and any authorized reproduction thereof, must not be used in any way against the interest of North Invent AS. Any authorized reproduction, in whole or in part, must include this legend.					 NORTH INVENT www.northinvent.com
Document Number	Date	Drawn by	Sheet	Scale (A3 Format)	
PPC_002	2020.01.28	RNO	3 of 5	1:1.5	
	2020.01.28	Checked RNO			
Revision Status			Revision	Projection	
Re-Issued for Production			C2		
201805211	Description	Date	Approved	DW ID	
		2020.01.28	RNO		



This document is the property of North Invent Norway AS. This document and any authorized reproduction thereof, must not be used in any way against the interest of North Invent AS. Any authorized reproduction, in whole or in part, must include this legend.				 NORTH INVENT
Document Number PPC_002	Date 2020.01.28 Checked 2020.01.28	Drawn by RNO Checked RNO	Sheet 4 of 5 Scale (A3 Format) 1:1.5	
Revision Status Re-Issued for Production		Revision C2	Projection 	 NORTH INVENT www.northinvent.com
201805211	Description	Date 2020.01.28 Approved RNO	DW ID	