

10.1" PANEL COMPUTER



SUMMARY

CUSTOMER ID	30047	CPU OPTION	NORTH INVENT PART NO:
COMPANY NAME	North Invent Norway	INTEL ATOM X6413E @ 1.5 GHZ (3.0 GHZ)	WE101 000 581
VAT	987884002VAT		
ADDRESS	Sørhauggata 128 5527 Haugesund NORWAY		

NB! To order optional PSU versions and / or I/Os listed on the next page, please ask your North Invent P/N.

REVISION HISTORY

APPROVED	CHECKED	DRAWN	STATUS	DESCRIPTION
2023.09.01 OKJ	2023.09.01 OKJ	2023.09.01 OKJ	Issued for Customer Review	First Revision, illustrations to be updated
2024.19.02 NIP	2024.19.02 NIP	2024.19.02 NIP	Issued for Customer Review	General Update

10.1" PANEL COMPUTER

The North Invent 10.1" Panel Computer is a state-of-the-art computer concept, built with industrial extended temperature components.

Designed for 10 years of manufacturing, the North Invent 10.1" Panel Computer is boasting powerful 11th Generation Intel® Atom™ Processors.

It has 10 point PCAP multitouch integrated into a slim design.

As for all North Invent products the will unit remains fanless with low power consumption.



TECHNICAL SPECIFICATIONS 10.1" Panel Computer

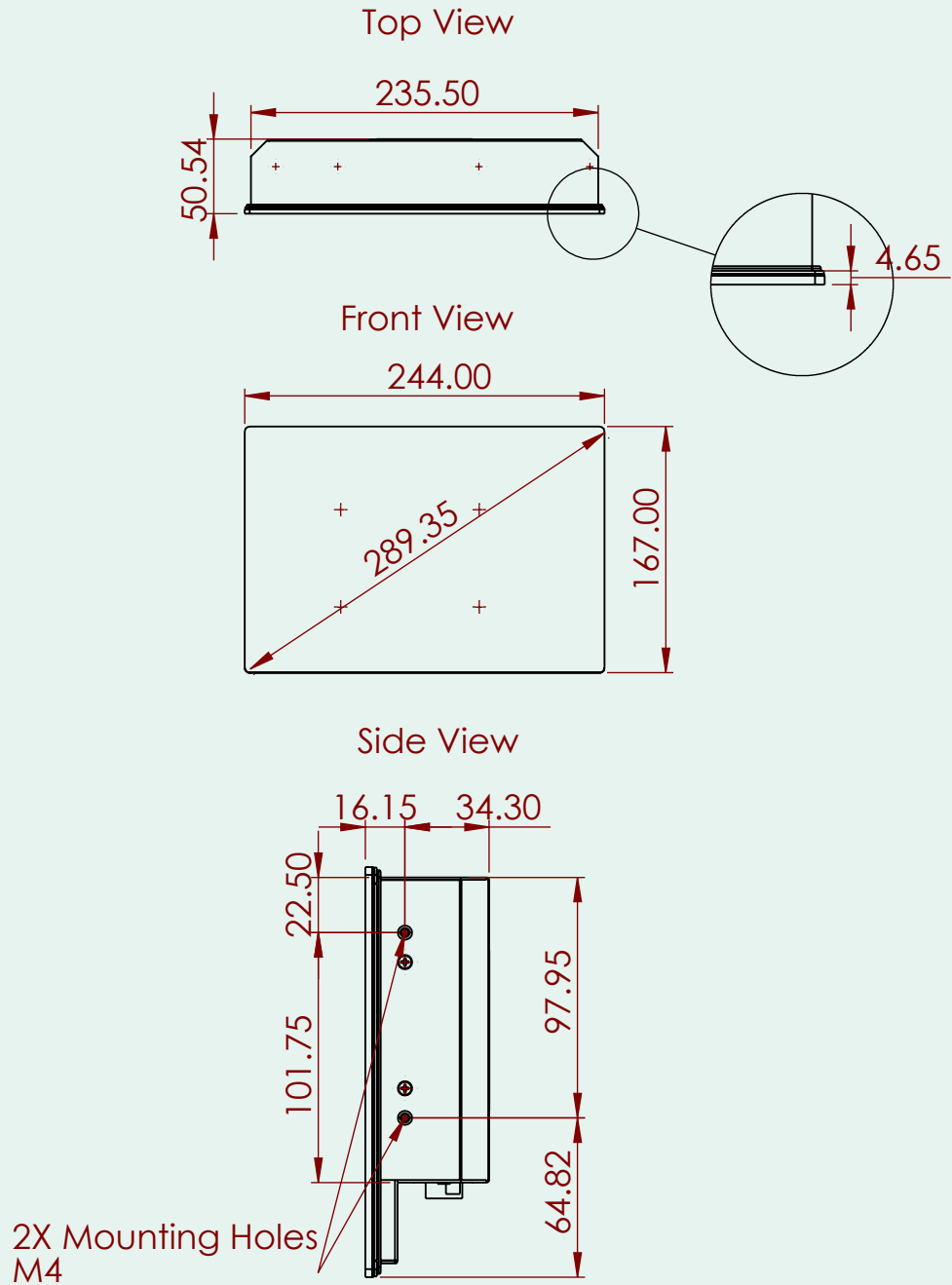
MATCHING STANDARDS

IEC 60945, IEC 60529 (IP), IACS E10, EMC Directive-2014/30/EU, RoHS, REACH, MIL-STD-810 (Shock), MIL-STD-461 (EMC), MIL-STD-167-1A (Vibration), IEC 61000-6-2 (EMI), IEC 61000-6-4 (EMC), IEC 60068-2-27 (Shock)

DISPLAY SIZE	10.1" - Active area 216.96 (W) X 135.60 (H) mm
OVERALL DIMENSIONS	244 (W) x 167 (H) x 50,54 (D) mm
NET / GROSS WEIGHT	1.7 / 2.5 kg
RESOLUTION	Max 1280 x 800 pixels
RESPONSE TIME	13 ms (typ)
CONTRAST RATIO	800:1 (typ)
CPU	Intel® Atom x6413E @ 1.5 GHz (3.0 GHz)
LIGHT INTENSITY	700 cd/m2 (typ)
GRAPHICS	Intel® UHD Graphics (Gen11)
VIEWING ANGLE	±88°
SSD	32GB eMMC 5.1 onboard flash
SUPPLY VOLTAGE	Wide Range 9-36 VDC
POWER CONSUMPTION	Approx. 35W
RAM	4GB 3200MT7s LPDDRx onboard memory
ENCLOSURE PROTECTION	IP 67 from front given correct mounting and sealing.
GLASS TYPE	3.0 mm Tempered, Anti Reflective
INPUT/ OUTPUT	2 x 10/100/1000 Ethernet RJ45 with TPM 2.0, 1 x DisplayPort (DP++) output, 1x USB 3.1 Gen2 Type C, 2 x USB 3.1 Gen 2 Type A, 1 x RS232 (9-pin DSUB), 1 x RS422 (9-pin DSUB).
OPERATING / STORAGE TEMPERATURE	-30/+70° C, -30/+70° C (-22/+158° F, -22/+158° F)
BACKLIGHT LIFE	Typ 50.000 Hours
DIMMING RANGE	0-100%
OS SUPPORTED	Linux and Windows
TOUCH	10 Point PCAP Multitouch

10.1" PANEL COMPUTER

TECHNICAL SPECIFICATIONS 10.1" Panel Computer



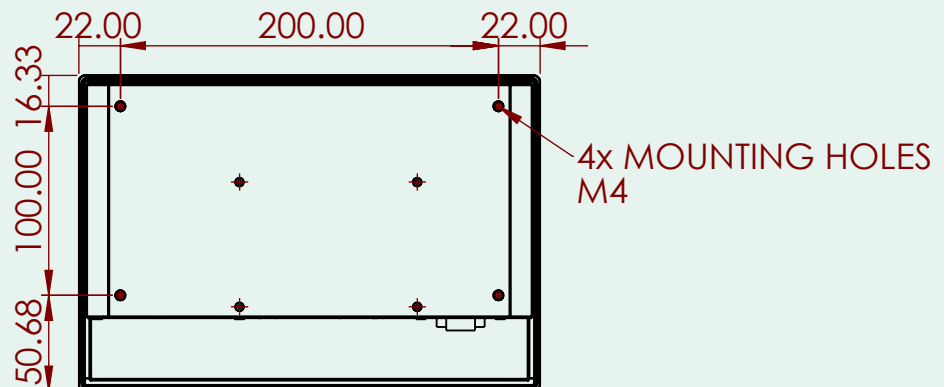
10.1" PANEL COMPUTER

TECHNICAL SPECIFICATIONS 10.1" Panel Computer

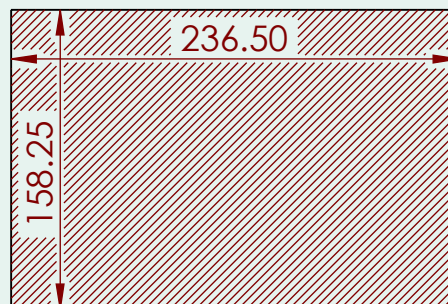
Bottom View



Back View



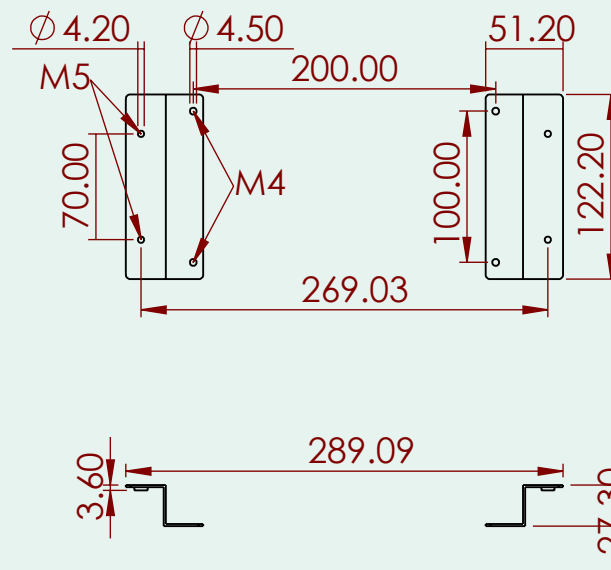
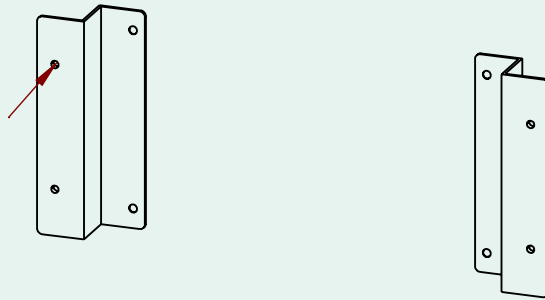
Cut out



10.1" PANEL COMPUTER

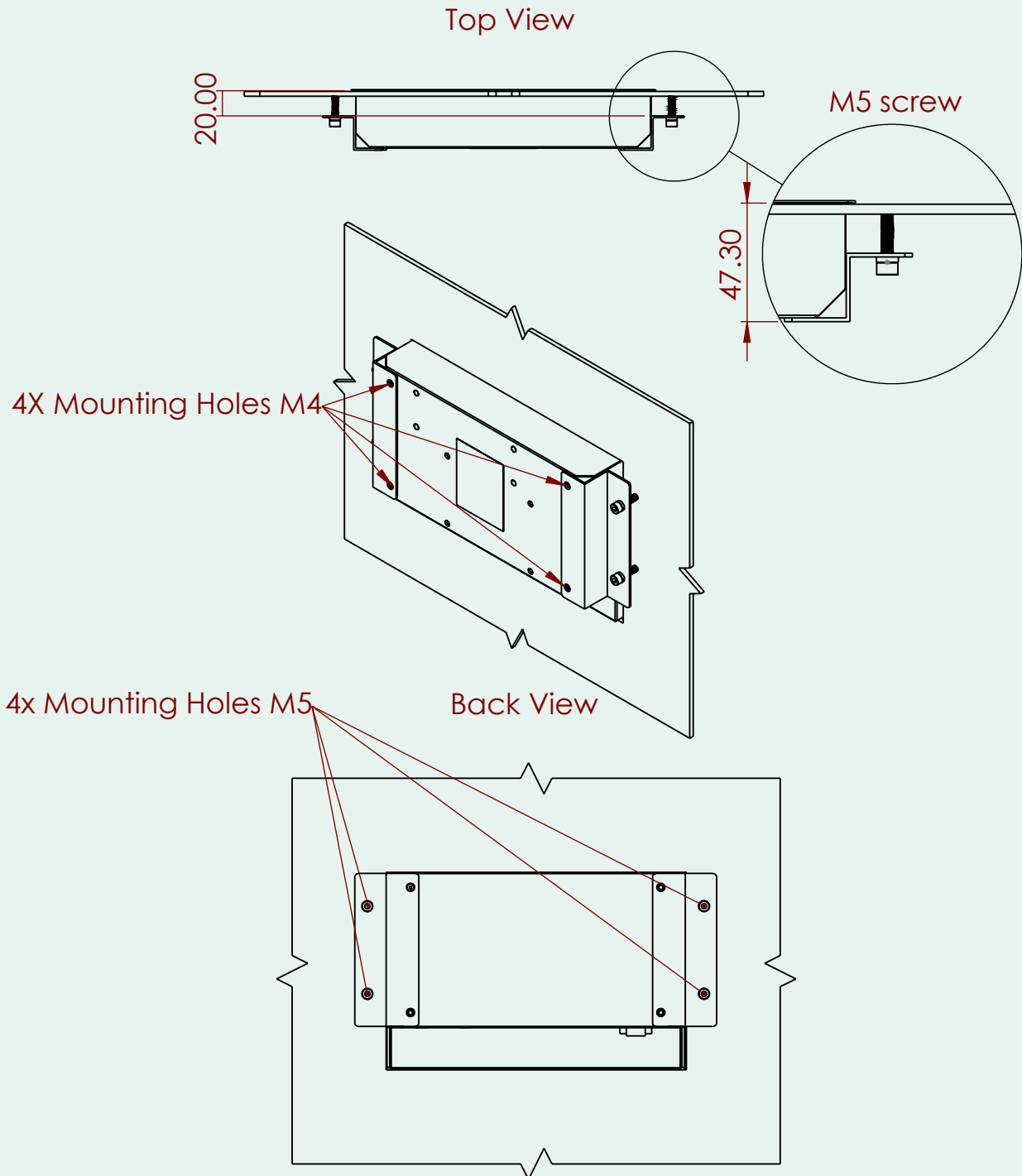
TECHNICAL SPECIFICATIONS 10.1" Panel Computer

Mounting Brackets



10.1" PANEL COMPUTER

TECHNICAL SPECIFICATIONS 10.1" Panel Computer



2018101001

6/6

Specifications subject to changes without prior notice. The contents of this page are property of North Invent Norway AS. All rights herein are reserved to North Invent Norway AS. This document cannot be reproduced without the written permission of the company.

NORTH INVENT
Sørhauggata 128,
NO-5527 Haugesund, Norway
Phone: +47 48 84 02 00

